

**International Gravity Sports Association**

**Event:** Mad Rats Downhill Challenge  
**Location:** São João do Deserto - Brazil  
**Date:** December 15, 2013  
**Event Level:** Continental  
**Weather:** 90°F

**Promoter:** Kaká Verardi / Douglas Silva  
**Chief Steward:** Alexandre Maia  
**Starter:** Ivandro Silveira  
**Track Conditions:** Dry  
**Course Length:** 1.5km - 0.9mi

**Downhill Skateboard Results**

| <b>Pos</b> | <b>No</b> | <b>Surname</b> | <b>First Name</b> | <b>Nat</b> | <b>Best</b> | <b>Points</b> |
|------------|-----------|----------------|-------------------|------------|-------------|---------------|
| 1          | 35        | Correia-Paixao | Carlos Augusto    | BRA        | 1:10.940    | 383.44        |
| 2          | 103       | Brambila       | Bernardo          | BRA        | 1:11.240    | 368.62        |
| 3          | 25        | Silva          | Douglas           | BRA        | 1:12.010    | 361.60        |
| 4          | 2         | Dean           | Danky             | BRA        | 1:11.930    | 355.18        |
| 5          | 101       | Rodrigues      | Robert            | BRA        | 1:11.490    | 349.25        |
| 6          | 70        | Bertinati      | Yan               | BRA        | 1:12.790    | 343.70        |
| 7          | 216       | Stein          | Henrique          | BRA        | 1:11.490    | 338.47        |
| 8          | 4         | Kiotheka       | Rafael            | BRA        | 1:13.610    | 333.50        |
| 9          | 238       | Rubim          | Willian           | BRA        | 1:11.320    | 328.77        |
| 10         | 112       | Reis           | Ricardo           | BRA        | 1:11.930    | 324.24        |
| 11         | 198       | Garcia         | Alysson           | BRA        | 1:12.840    | 319.88        |
| 12         | 232       | Bonato         | Rafael            | BRA        | 1:13.390    | 315.69        |
| 13         | 234       | Garcia         | Silon             | BRA        | 1:11.740    | 311.64        |
| 14         | 136       | Stabio         | Juan              | ARG        | 1:12.510    | 307.71        |
| 15         | 140       | Gentili        | Mariano           | ARG        | 1:12.890    | 303.91        |
| 16         | 87        | Vasques        | Renan             | BRA        | 1:13.640    | 300.21        |
| 17         | 300       | Richter        | Jonas             | BRA        | 1:12.270    | 296.61        |
| 18         | 219       | Fonseca        | Rafael            | BRA        | 1:12.460    | 293.10        |
| 19         | 227       | Frangulis      | Pedro             | BRA        | 1:12.560    | 289.67        |
| 20         | 57        | Casemiro       | Juliano           | BRA        | 1:12.840    | 286.33        |
| 21         | 200       | Fernandes      | Alexandre         | BRA        | 1:13.070    | 283.05        |
| 22         | 184       | Sabella        | Rafael            | BRA        | 1:13.470    | 279.85        |
| 23         | 178       | Espeche        | Santiago          | ARG        | 1:14.940    | 276.71        |
| 24         | 237       | Allub          | Agustin           | ARG        | 1:15.370    | 273.63        |
| 25         | 39        | Dassie         | Andrew            | BRA        | 1:13.650    | 270.61        |
| 26         | 196       | Medula         | Pedro             | BRA        | 1:13.870    | 267.65        |
| 27         | 53        | Corder         | Gabriel           | BRA        | 1:14.050    | 264.73        |
| 28         | 81        | Peruzzo        | Elton             | BRA        | 1:14.060    | 261.87        |
| 29         | 40        | Dorneles       | Evandro           | BRA        | 1:14.390    | 259.05        |
| 30         | 33        | Guaragni       | Lucas             | BRA        | 1:14.560    | 256.28        |
| 31         | 84        | Latorre        | Laion             | BRA        | 1:14.570    | 253.54        |
| 32         | 42        | Macedo         | Filipe            | BRA        | 1:15.640    | 250.85        |
| 33         | 75        | Marcante       | Alexandre         | BRA        | 1:13.790    | 248.20        |
| 34         | 49        | Kainã          | Thomas            | BRA        | 1:13.980    | 245.59        |
| 35         | 194       | Ritzel         | Jean              | BRA        | 1:14.140    | 243.01        |
| 36         | 60        | Ficagna        | Lucas             | BRA        | 1:14.240    | 240.46        |
| 37         | 116       | Rausini        | Alexandre         | BRA        | 1:14.290    | 237.95        |
| 38         | 104       | Alves          | Fruke             | BRA        | 1:14.640    | 235.47        |
| 39         | 17        | Besutti        | Alisson           | BRA        | 1:14.730    | 233.01        |
| 40         | 162       | Moreira        | Miguel            | BRA        | 1:14.870    | 230.59        |
| 41         | 201       | Baum           | Rogério           | BRA        | 1:15.050    | 228.20        |
| 42         | 152       | Bueno          | Marcos            | BRA        | 1:15.200    | 225.83        |
| 43         | 164       | Duran          | Francisco         | ARG        | 1:15.210    | 223.49        |
| 44         | 110       | Costa          | Eduardo           | BRA        | 1:15.250    | 221.18        |
| 45         | 226       | Salvi          | Marcelo           | BRA        | 1:15.310    | 218.89        |
| 46         | 1         | Domingues      | Dailton           | BRA        | 1:15.470    | 216.63        |
| 47         | 63        | Montemuzzo     | Rodrigo           | BRA        | 1:16.090    | 214.38        |
| 48         | 55        | Faccio         | Ricardo           | BRA        | 1:17.560    | 212.17        |
| 49         | 207       | Macchi         | Leonardo          | ARG        | 1:12.910    | 209.97        |
| 50         | 295       | Royce          | Willian           | USA        | 1:14.820    | 207.79        |

**International Gravity Sports Association**

**Event:** Mad Rats Downhill Challenge  
**Location:** São João do Deserto - Brazil  
**Date:** December 15, 2013  
**Event Level:** Continental  
**Weather:** 90°F

**Promoter:** Kaká Verardi / Douglas Silva  
**Chief Steward:** Alexandre Maia  
**Starter:** Ivandro Silveira  
**Track Conditions:** Dry  
**Course Length:** 1.5km - 0.9mi

**Downhill Skateboard Continued Results**

| Pos | No  | Surname     | First Name | Nat | Best     | Points |
|-----|-----|-------------|------------|-----|----------|--------|
| 51  | 15  | Lara        | Fagner     | BRA | 1:15.040 | 205.64 |
| 52  | 132 | La          | Marcos     | ARG | 1:15.510 | 203.50 |
| 53  | 206 | Piñango     | Ruben      | BRA | 1:15.520 | 201.38 |
| 54  | 117 | Leão        | Robinson   | BRA | 1:15.520 | 199.29 |
| 55  | 124 | Netto       | Arion      | BRA | 1:15.620 | 197.21 |
| 56  | 224 | Boveti      | Cristian   | ARG | 1:15.720 | 195.15 |
| 57  | 27  | Vicente     | Juliano    | BRA | 1:15.980 | 193.10 |
| 58  | 141 | Gomes       | Johnny     | BRA | 1:16.500 | 191.08 |
| 59  | 193 | Bertuol     | Luciano    | BRA | 1:16.530 | 189.07 |
| 60  | 199 | Galasso     | Jorge      | BRA | 1:16.570 | 187.08 |
| 61  | 47  | Carrera     | Cesar      | BRA | 1:16.620 | 185.10 |
| 62  | 106 | Mulaski     | Julio      | BRA | 1:17.230 | 183.14 |
| 63  | 37  | Batelana    | Lucas      | BRA | 1:17.580 | 181.19 |
| 64  | 133 | Larentis    | Diego      | BRA | 1:15.600 | 179.26 |
| 65  | 78  | Berselli    | Marcos     | BRA | 1:18.190 | 177.34 |
| 66  | 230 | Correa      | Andre      | BRA | 1:18.610 | 175.44 |
| 67  | 223 | Peroni      | Henrique   | BRA | 1:18.780 | 173.55 |
| 68  | 148 | Borges      | Erivelton  | BRA | 1:19.590 | 171.67 |
| 69  | 294 | Ferreira    | Jonas      | BRA | 1:19.770 | 169.81 |
| 70  | 48  | Cunha       | Lucas      | BRA | 1:20.210 | 167.96 |
| 71  | 260 | Fernandes   | Alejandro  | ARG | 1:22.030 | 166.13 |
| 72  | 183 | Gabriel     | Claudio    | ARG | 1:23.320 | 164.30 |
| 73  | 155 | Amaral      | Dacio      | BRA | 1:24.220 | 162.49 |
| 74  | 127 | Carpeggiani | Gregório   | BRA | 1:27.230 | 160.69 |
| 75  | 214 | Sales       | Floriano   | BRA | 1:29.770 | 158.90 |

**Women Downhill Skateboard Results**

| Pos | No  | Surname   | First Name | Nat | Best     | Points |
|-----|-----|-----------|------------|-----|----------|--------|
| 1   | 80  | Brogni    | Melissa    | BRA | 1:20.810 | 383.44 |
| 2   | 9   | Oliveira  | Reine      | BRA | 1:24.210 | 368.62 |
| 3   | 125 | Hartmann  | Amanda     | BRA | 1:27.080 | 361.60 |
| 4   | 153 | Pucheta   | Camila     | ARG | 1:22.920 | 355.18 |
| 5   | 122 | Fior      | Bianca     | BRA | 1:19.270 | 349.25 |
| 6   | 167 | Zolet     | Ivana      | BRA | 1:20.590 | 343.70 |
| 7   | 123 | Sass      | Débora     | BRA | 1:24.900 | 338.47 |
| 8   | 126 | Cardoso   | Franciele  | BRA | 1:26.700 | 333.50 |
| 9   | 26  | Jünemann  | Annely     | BRA | 1:22.400 | 328.77 |
| 10  | 46  | Espíndola | Duane      | BRA | 1:27.710 | 324.24 |
| 11  | 36  | Luiz      | Morgana    | BRA | 1:46.160 | 319.88 |

**Junior 1 Downhill Skateboard Results (Age 8-13)**

| Pos | No  | Surname   | First Name | Nat | Best     | Points |
|-----|-----|-----------|------------|-----|----------|--------|
| 1   | 202 | Batista   | Lucas      | BRA | 1:16.060 | 383.44 |
| 2   | 233 | Rocha     | Lucas      | BRA | 1:15.400 | 368.62 |
| 3   | 105 | Trindade  | Alexandre  | BRA | 1:15.820 | 361.60 |
| 4   | 293 | Fonseca   | Artur      | BRA | 1:16.720 | 355.18 |
| 5   | 220 | Caribé    | Lucas      | BRA | 1:17.850 | 349.25 |
| 6   | 168 | Soares    | Eric       | BRA | 1:16.930 | 343.70 |
| 7   | 7   | Gonçalves | Octavio    | BRA | 1:19.790 | 338.47 |
| 8   | 165 | Szymczak  | Deryck     | BRA | 1:17.160 | 333.50 |

**International Gravity Sports Association**

**Event:** Mad Rats Downhill Challenge  
**Location:** São João do Deserto - Brazil  
**Date:** December 15, 2013  
**Event Level:** Continental  
**Weather:** 90°F

**Promoter:** Kaká Verardi / Douglas Silva  
**Chief Steward:** Alexandre Maia  
**Starter:** Ivandro Silveira  
**Track Conditions:** Dry  
**Course Length:** 1.5km - 0.9mi

**Junior 1 Downhill Skateboard Continued Results (Age 8-13)**

| Pos | No  | Surname    | First Name | Nat | Best     | Points |
|-----|-----|------------|------------|-----|----------|--------|
| 9   | 16  | Gasparotto | Jeremias   | BRA | 1:16.940 | 328.77 |
| 10  | 130 | Pinheiro   | Gustavo    | BRA | 1:17.370 | 324.24 |
| 11  | 171 | Pereira    | João       | BRA | 1:17.770 | 319.88 |
| 12  | 77  | Henrique   | Julio      | BRA | 1:18.650 | 315.69 |
| 13  | 23  | Andrade    | Guilherme  | BRA | 1:17.620 | 311.64 |
| 14  | 34  | Verardi    | Leonardo   | BRA | 1:18.260 | 307.71 |
| 15  | 154 | Ferroni    | Bruno      | BRA | 1:18.780 | 303.91 |
| 16  | 64  | Dell'aglio | Otavio     | BRA | 1:19.830 | 300.21 |
| 17  | 79  | Pedrosa    | Iury       | BRA | 1:18.970 | 296.61 |
| 18  | 68  | Lima       | Iago       | BRA | 1:20.110 | 293.10 |
| 19  | 20  | Medeiros   | Murilo     | BRA | 1:20.990 | 289.67 |
| 20  | 109 | Kramer     | Gabriel    | BRA | 1:25.250 | 286.33 |
| 21  | 145 | Gindri     | Gabriel    | BRA | 1:28.830 | 283.05 |
| 22  | 88  | Santos     | Ryan       | BRA | 1:29.570 | 279.85 |
| 23  | 92  | Ludwig     | Victor     | BRA | 1:34.450 | 276.71 |
| 24  | 11  | Vieira     | Bruno      | BRA | 1:19.000 | 273.63 |
| 25  | 215 | Santos     | Yuri       | BRA | 1:23.770 | 270.61 |
| 26  | 96  | Machado    | Nathan     | BRA | 1:42.340 | 267.65 |

**Junior 2 Downhill Skateboard Results (Age 14-17)**

| Pos | No  | Surname   | First Name | Nat | Best     | Points |
|-----|-----|-----------|------------|-----|----------|--------|
| 1   | 70  | Bertinati | Yan        | BRA | 1:12.790 | 383.44 |
| 2   | 52  | Krob      | Andrez     | BRA | 1:12.540 | 368.62 |
| 3   | 95  | Furtado   | Gregory    | BRA | 1:13.360 | 361.60 |
| 4   | 297 | Mohr      | Thiago     | BRA | 1:13.670 | 355.18 |
| 5   | 190 | Mousquer  | Felipe     | BRA | 1:15.540 | 349.25 |
| 6   | 162 | Moreira   | Miguel     | BRA | 1:14.870 | 343.70 |
| 7   | 30  | Pinheiro  | Jorge      | BRA | 1:14.600 | 338.47 |
| 8   | 99  | Perdoná   | Lucas      | BRA | 1:13.590 | 333.50 |
| 9   | 172 | Fernandes | Lucas      | BRA | 1:13.170 | 328.77 |
| 10  | 211 | Meireles  | Pedro      | BRA | 1:14.090 | 324.24 |
| 11  | 147 | Jientara  | Gian       | BRA | 1:16.650 | 319.88 |
| 12  | 181 | Pandolfi  | Bruno      | BRA | 1:18.080 | 315.69 |
| 13  | 179 | Monti     | Bruno      | BRA | 1:14.090 | 311.64 |
| 14  | 156 | Cazeiro   | Gabriel    | BRA | 1:14.790 | 307.71 |
| 15  | 71  | Henz      | Cristian   | BRA | 1:15.300 | 303.91 |
| 16  | 240 | Laky      | Leonardo   | BRA | 1:16.880 | 300.21 |
| 17  | 225 | Diniz     | Giulian    | BRA | 1:13.210 | 296.61 |
| 18  | 169 | Spengler  | Bruno      | BRA | 1:13.840 | 293.10 |
| 19  | 18  | Lima      | Ítalo      | BRA | 1:14.310 | 289.67 |
| 20  | 24  | Nina      | Matheus    | BRA | 1:14.720 | 286.33 |
| 21  | 62  | Costa     | Lucas      | BRA | 1:14.810 | 283.05 |
| 22  | 117 | Leão      | Robinson   | BRA | 1:15.520 | 279.85 |
| 23  | 137 | Menezes   | Guilherme  | BRA | 1:15.880 | 276.71 |
| 24  | 149 | Ossemer   | Rafael     | BRA | 1:16.810 | 273.63 |
| 25  | 157 | Veiga     | Daniel     | BRA | 1:14.850 | 270.61 |
| 26  | 152 | Bueno     | Marcos     | BRA | 1:15.200 | 267.65 |
| 27  | 5   | Karnal    | Guilherme  | BRA | 1:16.860 | 264.73 |
| 28  | 146 | Lopes     | Lucas      | BRA | 1:16.930 | 261.87 |
| 29  | 82  | Silva     | William    | BRA | 1:17.170 | 259.05 |

**International Gravity Sports Association**

**Event:** Mad Rats Downhill Challenge  
**Location:** São João do Deserto - Brazil  
**Date:** December 15, 2013  
**Event Level:** Continental  
**Weather:** 90°F

**Promoter:** Kaká Verardi / Douglas Silva  
**Chief Steward:** Alexandre Maia  
**Starter:** Ivandro Silveira  
**Track Conditions:** Dry  
**Course Length:** 1.5km - 0.9mi

**Junior 2 Downhill Skateboard Continued Results (Age 14-17)**

| Pos | No  | Surname    | First Name | Nat | Best     | Points |
|-----|-----|------------|------------|-----|----------|--------|
| 30  | 173 | Oliveira   | Joao Vitor | BRA | 1:15.700 | 256.28 |
| 31  | 21  | Harenza    | Lucas      | BRA | 1:16.880 | 253.54 |
| 32  | 239 | Venturella | Mateus     | BRA | 1:19.030 | 250.85 |
| 33  | 13  | Zimmer     | Renan      | BRA | 1:14.560 | 248.20 |
| 34  | 6   | Diter      | Matheus    | BRA | 1:14.850 | 245.59 |
| 35  | 170 | Fialho     | Otávio     | BRA | 1:15.220 | 243.01 |
| 36  | 235 | Rodrigues  | Lucas      | BRA | 1:15.590 | 240.46 |
| 37  | 159 | Miguel     | Vítor      | BRA | 1:15.950 | 237.95 |
| 38  | 73  | Spier      | Kelvin     | BRA | 1:16.170 | 235.47 |
| 39  | 221 | Kologeski  | Marlon     | BRA | 1:16.270 | 233.01 |
| 40  | 67  | Conterato  | Henrique   | BRA | 1:17.150 | 230.59 |
| 41  | 150 | Silva      | Danrlei    | BRA | 1:17.170 | 228.20 |
| 42  | 228 | Almeida    | Felipe     | BRA | 1:17.710 | 225.83 |
| 43  | 22  | Pereira    | Victor     | BRA | 1:17.970 | 223.49 |
| 44  | 174 | Bueno      | Gabriel    | BRA | 1:18.890 | 221.18 |
| 45  | 192 | Silva      | Gabriel    | BRA | 1:19.650 | 218.89 |
| 46  | 185 | Guedes     | Nicolas    | BRA | 1:21.710 | 216.63 |
| 47  | 195 | Leal       | Weslei     | BRA | 1:29.700 | 214.38 |
| 48  | 204 | Martins    | Douglas    | BRA | 1:15.740 | 212.17 |
| 49  | 166 | Mendes     | Miguel     | BRA | 1:18.200 | 209.97 |
| 50  | 19  | Chagas     | Pedro      | BRA | 1:20.020 | 207.79 |
| 51  | 29  | Berlitz    | João       | BRA | 1:20.350 | 205.64 |
| 52  | 97  | Mainieri   | Victor     | BRA | 1:22.540 | 203.50 |
| 53  | 299 | Tagarra    | Nicolas    | BRA | 1:23.510 | 201.38 |
| 54  | 8   | Gonçalves  | Victor     | BRA | 1:27.120 | 199.29 |
| 55  | 158 | Souza      | Filipe     | BRA | 1:31.930 | 197.21 |
| 56  | 50  | Tonini     | Eduardo    | BRA | 1:16.450 | 195.15 |
| 57  | 177 | Teixeira   | Evandro    | BRA | 1:18.950 | 193.10 |
| 58  | 236 | Garcez     | Gabriel    | BRA | 1:20.760 | 191.08 |
| 59  | 138 | Czaikowski | Gabriel    | BRA | 1:21.530 | 189.07 |
| 60  | 121 | Toniello   | Willian    | BRA | 1:23.220 | 187.08 |
| 61  | 151 | Anselmo    | Gabriel    | BRA | 1:23.410 | 185.10 |
| 62  | 182 | Almeida    | Wesley     | BRA | 1:32.990 | 183.14 |
| 63  | 98  | Cabrera    | Eduardo    | BRA | 1:23.780 | 181.19 |
| 64  | 144 | Tittoni    | Thiago     | BRA | 1:32.410 | 179.26 |

**Masters Downhill Skateboard Results**

| Pos | No  | Surname   | First Name | Nat | Best     |
|-----|-----|-----------|------------|-----|----------|
| 1   | 234 | Garcia    | Silon      | BRA | 1:11.740 |
| 2   | 57  | Cassemiro | Juliano    | BRA | 1:12.840 |
| 3   | 241 | Maia      | Alexandre  | BRA | 1:15.910 |
| 4   | 213 | Marcante  | Marinho    | BRA | 1:17.610 |
| 5   | 199 | Galasso   | Jorge      | BRA | 1:16.570 |
| 6   | 209 | Vargas    | Sandro     | BRA | 1:31.950 |
| 7   | 86  | Bier      | João       | BRA | 1:16.520 |
| 8   | 58  | Sena      | Ricardo    | BRA | 1:16.860 |
| 9   | 218 | Preto     | André      | BRA | 1:16.510 |
| 10  | 280 | Selbach   | Perci      | BRA | 1:17.030 |
| 11  | 56  | Barreto   | Cristiano  | BRA | 1:17.870 |
| 12  | 176 | Santos    | Flávio     | BRA | 1:21.500 |

**International Gravity Sports Association**

**Event:** Mad Rats Downhill Challenge  
**Location:** São João do Deserto - Brazil  
**Date:** December 15, 2013  
**Event Level:** Continental  
**Weather:** 90°F

**Promoter:** Kaká Verardi / Douglas Silva  
**Chief Steward:** Alexandre Maia  
**Starter:** Ivandro Silveira  
**Track Conditions:** Dry  
**Course Length:** 1.5km - 0.9mi

**Masters Downhill Skateboard Continued Results**

| <b>Pos</b> | <b>No</b> | <b>Surname</b> | <b>First Name</b> | <b>Nat</b> | <b>Best</b> |
|------------|-----------|----------------|-------------------|------------|-------------|
| 13         | 229       | Silveira       | Ivandro           | BRA        | 1:20.750    |
| 14         | 208       | Reis           | Sasha             | BRA        | 1:22.280    |
| 15         | 155       | Amaral         | Dacio             | BRA        | 1:25.780    |
| 16         | 161       | Lock           | Fabio             | BRA        | 1:18.320    |
| 17         | 187       | Airton         | Will              | BRA        | 1:20.860    |
| 18         | 143       | Oliveira       | Jose              | BRA        | 1:27.300    |
| 19         | 205       | Fiori          | Marcelo           | BRA        | 1:22.360    |
| 20         | 214       | Sales          | Floriano          | BRA        | 1:29.770    |

**Classic Luge Results**

| <b>Pos</b> | <b>No</b> | <b>Surname</b> | <b>First Name</b> | <b>Nat</b> | <b>Best</b> | <b>Points</b> |
|------------|-----------|----------------|-------------------|------------|-------------|---------------|
| 1          | 44        | Ribeiro-Baresi | Walter            | BRA        | 1:18.500    | 383.44        |
| 2          | 59        | Machado        | Alexandre         | BRA        | 1:22.480    | 368.62        |
| 3          | 90        | Borton         | Léo               | BRA        | 1:16.470    | 361.60        |
| 4          | 114       | Formica        | Manoel            | BRA        | 1:15.210    | 355.18        |
| 5          | 129       | Palacios       | Nacho             | ARG        | 1:15.900    | 349.25        |
| 6          | 10        | Rocha          | Fernando          | BRA        | 1:16.820    | 343.70        |
| 7          | 131       | Calabresi      | Pablo             | ARG        | 1:20.100    | 338.47        |
| 8          | 206       | Piñango        | Ruben             | BRA        | 1:18.220    | 333.50        |
| 9          | 83        | Benedetto      | Maximiliano       | ARG        | 1:16.330    | 328.77        |
| 10         | 11        | Vieira         | Bruno             | BRA        | 1:20.420    | 324.24        |

**Street Luge Results**

| <b>Pos</b> | <b>No</b> | <b>Surname</b> | <b>First Name</b> | <b>Nat</b> | <b>Best</b> | <b>Points</b> |
|------------|-----------|----------------|-------------------|------------|-------------|---------------|
| 1          | 90        | Borton         | Léo               | BRA        | 1:12.360    | 383.44        |
| 2          | 59        | Machado        | Alexandre         | BRA        | 1:14.880    | 368.62        |
| 3          | 44        | Ribeiro-Baresi | Walter            | BRA        | 1:17.000    | 361.60        |
| 4          | 41        | Lopes          | Matheus           | BRA        | 1:12.920    | 355.18        |
| 5          | 10        | Rocha          | Fernando          | BRA        | 1:13.330    | 349.25        |
| 6          | 114       | Formica        | Manoel            | BRA        | 1:12.950    | 343.70        |
| 7          | 217       | Roque          | Marcos            | BRA        | 1:14.980    | 338.47        |
| 8          | 94        | Bernardes      | Gabriel           | BRA        | 1:13.600    | 333.50        |
| 9          | 43        | Jardim         | Mario             | BRA        | 1:15.020    | 328.77        |
| 10         | 32        | Souza          | Moizes            | BRA        | 1:17.130    | 324.24        |
| 11         | 14        | Passos         | Landjunior        | BRA        | 1:17.880    | 319.88        |
| 12         | 160       | Santos         | Claudemir         | BRA        | 1:19.350    | 315.69        |
| 13         | 100       | Fachini        | Fabricao          | BRA        | 1:20.780    | 311.64        |
| 14         | 34        | Verardi        | Leonardo          | BRA        | 1:21.900    | 307.71        |
| 15         | 197       | Santos         | Jades             | BRA        | 1:28.100    | 303.91        |
| 16         | 46        | Espíndola      | Duane             | BRA        | 1:20.560    | 300.21        |
| 17         | 188       | Godoy          | Evandro           | BRA        | 1:25.230    | 296.61        |
| 18         | 31        | Ritfef         | Marcos            | BRA        | 1:38.260    | 293.10        |

**International Gravity Sports Association**  
**Event:** Mad Rats Downhill Challenge  
**Location:** São João do Deserto - Brazil  
**Date:** December 15, 2013  
**Event Level:** Continental  
**Weather:** 90°F

**Promoter:** Kaká Verardi / Douglas Silva  
**Chief Steward:** Alexandre Maia  
**Starter:** Ivandro Silveira  
**Track Conditions:** Dry  
**Course Length:** 1.5km - 0.9mi

**Open Downhill Skateboard**

| QUAL | Pos. | Round A             | Round B | Round C | Round D | Round E - Finale |
|------|------|---------------------|---------|---------|---------|------------------|
| 1    | R 1  | 35 C Correia-Paixão |         |         |         |                  |
| 17   | G 2  | 140 M Gentili       |         |         |         |                  |
| 48   | B 3  | 1 D Domingues       |         |         |         |                  |
| 64   | Y 4  | 37 L Batelana       |         |         |         |                  |
| 16   | R 2  | 57 J Cassemiro      |         |         |         |                  |
| 32   | G 3  | 116 A Rausini       |         |         |         |                  |
| 33   | B 1  | 40 E Dorneles       |         |         |         |                  |
| 49   | Y 4  | 132 M La            |         |         |         |                  |
| 9    | R 2  | 25 D Silva          |         |         |         |                  |
| 25   | G 3  | 75 A Marcante       |         |         |         |                  |
| 40   | B 1  | 178 S Espeche       |         |         |         |                  |
| 56   | Y 4  | 27 J Vicente        |         |         |         |                  |
| 8    | R 1  | 112 R Reis          |         |         |         |                  |
| 24   | G 2  | 39 A Dassie         |         |         |         |                  |
| 41   | B 4  | 15 F Lara           |         |         |         |                  |
| 57   | Y 3  | 63 R Montemezzo     |         |         |         |                  |
| 5    | R 1  | 216 H Stein         |         |         |         |                  |
| 21   | G 2  | 184 R Sabella       |         |         |         |                  |
| 44   | B 3  | 164 F Duran         |         |         |         |                  |
| 60   | Y 4  | 199 J Galasso       |         |         |         |                  |
| 12   | R 1  | 136 J Stabio        |         |         |         |                  |
| 28   | G 2  | 53 G Corder         |         |         |         |                  |
| 37   | B 3  | 17 A Besutti        |         |         |         |                  |
| 53   | Y 4  | 124 A Netto         |         |         |         |                  |
| 13   | R 2  | 227 P Frangulis     |         |         |         |                  |
| 29   | G 1  | 81 E Peruzzo        |         |         |         |                  |
| 36   | B 3  | 104 F Alves         |         |         |         |                  |
| 52   | Y 4  | DNF 133 D Larentis  |         |         |         |                  |
| 4    | R 1  | 101 R Rodrigues     |         |         |         |                  |
| 20   | G 2  | 232 R Bonato        |         |         |         |                  |
| 45   | B 3  | 110 E Costa         |         |         |         |                  |
| 61   | Y 4  | 47 C Carrera        |         |         |         |                  |
| 3    | R 1  | 238 W Rubim         |         |         |         |                  |
| 19   | G 2  | 200 A Fernandes     |         |         |         |                  |
| 46   | B 3  | 226 M Salvi         |         |         |         |                  |
| 62   | Y 4  | 106 J Mulaski       |         |         |         |                  |
| 14   | R 1  | 70 Y Bertinati      |         |         |         |                  |
| 30   | G 3  | 194 J Ritzel        |         |         |         |                  |
| 35   | B 2  | 84 L Latorre        |         |         |         |                  |
| 51   | Y 4  | 206 R Piñango       |         |         |         |                  |
| 11   | R 1  | 219 R Fonseca       |         |         |         |                  |
| 27   | G 3  | 49 T Kainá          |         |         |         |                  |
| 38   | B 4  | 295 W Royce         |         |         |         |                  |
| 54   | Y 2  | 42 F Macedo         |         |         |         |                  |
| 6    | R 1  | 234 S Garcia        |         |         |         |                  |
| 22   | G 2  | 4 R Kiotheka        |         |         |         |                  |
| 43   | B 3  | 152 M Bueno         |         |         |         |                  |
| 59   | Y 4  | 193 L Bertuol       |         |         |         |                  |
| 7    | R 1  | 2 D Dean            |         |         |         |                  |
| 23   | G 2  | 87 R Vasques        |         |         |         |                  |
| 42   | B 3  | 201 R Baum          |         |         |         |                  |
| 58   | Y 4  | 141 J Gomes         |         |         |         |                  |
| 10   | R 1  | 300 J Richer        |         |         |         |                  |
| 26   | G 2  | 196 P Medula        |         |         |         |                  |
| 39   | B 3  | 162 M Moreira       |         |         |         |                  |
| 55   | Y 4  | 224 C Bovei         |         |         |         |                  |
| 15   | R 1  | 198 A Garcia        |         |         |         |                  |
| 31   | G 3  | 60 L Ficagna        |         |         |         |                  |
| 47   | B 2  | 33 L Guaragni       |         |         |         |                  |
| 50   | Y 4  | 117 R Leão          |         |         |         |                  |
| 2    | R 1  | 103 B Brambila      |         |         |         |                  |
| 18   | G 4  | 207 L Macchi        |         |         |         |                  |
| 47   | B 2  | 237 A Allub         |         |         |         |                  |
| 63   | Y 3  | 55 R Faccio         |         |         |         |                  |
|      | Pos. | 1B                  |         |         |         |                  |
|      | R 1  | 35 C Correia-Paixão |         |         |         |                  |
|      | G 2  | 140 M Gentili       |         |         |         |                  |
|      | B 4  | 40 E Dorneles       |         |         |         |                  |
|      | Y 3  | 57 J Cassemiro      |         |         |         |                  |
|      | Pos. | 2B                  |         |         |         |                  |
|      | R 3  | 178 S Espeche       |         |         |         |                  |
|      | G 1  | 25 D Silva          |         |         |         |                  |
|      | B 2  | 112 R Reis          |         |         |         |                  |
|      | Y 4  | 39 A Dassie         |         |         |         |                  |
|      | Pos. | 3B                  |         |         |         |                  |
|      | R 1  | 216 H Stein         |         |         |         |                  |
|      | G 3  | 184 R Sabella       |         |         |         |                  |
|      | B 2  | 136 J Stabio        |         |         |         |                  |
|      | Y 4  | 53 G Corder         |         |         |         |                  |
|      | Pos. | 4B                  |         |         |         |                  |
|      | R 4  | 81 E Peruzzo        |         |         |         |                  |
|      | G 3  | 227 P Frangulis     |         |         |         |                  |
|      | B 1  | 101 R Rodrigues     |         |         |         |                  |
|      | Y 2  | 232 R Bonato        |         |         |         |                  |
|      | Pos. | 5B                  |         |         |         |                  |
|      | R 2  | 238 W Rubim         |         |         |         |                  |
|      | G 3  | 200 A Fernandes     |         |         |         |                  |
|      | B 1  | 70 Y Bertinati      |         |         |         |                  |
|      | Y 4  | 84 L Latorre        |         |         |         |                  |
|      | Pos. | 6B                  |         |         |         |                  |
|      | R 3  | 219 R Fonseca       |         |         |         |                  |
|      | G 4  | 42 F Macedo         |         |         |         |                  |
|      | B 1  | 234 S Garcia        |         |         |         |                  |
|      | Y 2  | 4 R Kiotheka        |         |         |         |                  |
|      | Pos. | 7B                  |         |         |         |                  |
|      | R 1  | 2 D Dean            |         |         |         |                  |
|      | G 2  | 87 R Vasques        |         |         |         |                  |
|      | B 3  | 300 J Richer        |         |         |         |                  |
|      | Y 4  | 196 P Medula        |         |         |         |                  |
|      | Pos. | 8B                  |         |         |         |                  |
|      | R 1  | 198 A Garcia        |         |         |         |                  |
|      | G 4  | 33 L Guaragni       |         |         |         |                  |
|      | B 2  | 103 B Brambila      |         |         |         |                  |
|      | Y 3  | 237 A Allub         |         |         |         |                  |
|      | Pos. | 1C                  |         |         |         |                  |
|      | R 2  | 35 C Correia-Paixão |         |         |         |                  |
|      | G 4  | 140 M Gentili       |         |         |         |                  |
|      | B 1  | 25 D Silva          |         |         |         |                  |
|      | Y 3  | 112 R Reis          |         |         |         |                  |
|      | Pos. | 2C                  |         |         |         |                  |
|      | R 1  | 216 H Stein         |         |         |         |                  |
|      | G 4  | 136 J Stabio        |         |         |         |                  |
|      | B 2  | 101 R Rodrigues     |         |         |         |                  |
|      | Y 3  | 232 R Bonato        |         |         |         |                  |
|      | Pos. | 3C                  |         |         |         |                  |
|      | R 1  | 70 Y Bertinati      |         |         |         |                  |
|      | G 3  | 238 W Rubim         |         |         |         |                  |
|      | B 4  | 234 S Garcia        |         |         |         |                  |
|      | Y 2  | 4 R Kiotheka        |         |         |         |                  |
|      | Pos. | 4C                  |         |         |         |                  |
|      | R 2  | 2 D Dean            |         |         |         |                  |
|      | G 4  | 87 R Vasques        |         |         |         |                  |
|      | B 3  | 198 A Garcia        |         |         |         |                  |
|      | Y 1  | 103 B Brambila      |         |         |         |                  |
|      | Pos. | 1D                  |         |         |         |                  |
|      | R 2  | 25 D Silva          |         |         |         |                  |
|      | G 1  | 35 C Correia-Paixão |         |         |         |                  |
|      | B 4  | 216 H Stein         |         |         |         |                  |
|      | Y 3  | 101 R Rodrigues     |         |         |         |                  |
|      | Pos. | 2D                  |         |         |         |                  |
|      | R 3  | 70 Y Bertinati      |         |         |         |                  |
|      | G 4  | 4 R Kiotheka        |         |         |         |                  |
|      | B 1  | 103 B Brambila      |         |         |         |                  |
|      | Y 2  | 2 D Dean            |         |         |         |                  |
|      | Pos. | 4E                  |         |         |         |                  |
|      | R 1  | 35 C Correia-Paixão |         |         |         |                  |
|      | G 3  | 25 D Silva          |         |         |         |                  |
|      | B 2  | 103 B Brambila      |         |         |         |                  |
|      | Y 4  | 2 D Dean            |         |         |         |                  |
|      | Pos. | 3E                  |         |         |         |                  |
|      | R 1  | 101 R Rodrigues     |         |         |         |                  |
|      | G 3  | 216 H Stein         |         |         |         |                  |
|      | B 2  | 70 Y Bertinati      |         |         |         |                  |
|      | Y 4  | 4 R Kiotheka        |         |         |         |                  |

Paixão  
Winner

Rodrigues  
5th place

**International Gravity Sports Association**  
**Event:** Mad Rats Downhill Challenge  
**Location:** São João do Deserto - Brazil  
**Date:** December 15, 2013  
**Event Level:** Continental  
**Weather:** 90°F

**Promoter:** Kaká Verardi / Douglas Silva  
**Chief Steward:** Alexandre Maia  
**Starter:** Ivandro Silveira  
**Track Conditions:** Dry  
**Course Length:** 1.5km - 0.9mi

**Women Downhill Skateboard**

| Round A       |   |   |                    | Round B       |   |                |   | Round C -Finale |                |               |        |
|---------------|---|---|--------------------|---------------|---|----------------|---|-----------------|----------------|---------------|--------|
| <b>Pos 1A</b> |   |   |                    | <b>Pos 1B</b> |   |                |   | <b>Pos 4C</b>   |                |               |        |
| 1             | R | 1 | 122 B Fior         | R             | 3 | 122 B Fior     | R | 4               | DNF            | 153 C Pucheta | Winner |
| 5             | G | 2 | 153 C Pucheta      | G             | 1 | 153 C Pucheta  | G | 3               | 125 A Hartmann |               |        |
| 12            | B | 3 | DNS 66 P Benitez   | B             | 4 | 126 F Cardoso  | B | 1               | 80 M Brogni    |               |        |
| 16            | Y | 4 | 0 0                | Y             | 2 | 125 A Hartmann | Y | 2               | 9 R Oliveira   |               |        |
| <b>Pos 2A</b> |   |   |                    | <b>Pos 2B</b> |   |                |   | <b>Pos 3C</b>   |                |               |        |
| 4             | R | 3 | DNF 26 A Jünemann  | R             | 1 | 80 M Brogni    | R | 1               | 122 B Fior     | 5th place     |        |
| 8             | G | 1 | 126 F Cardoso      | G             | 4 | 123 D Sass     | G | 4               | 126 F Cardoso  |               |        |
| 9             | B | 2 | 125 A Hartmann     | B             | 3 | 167 I Zolet    | B | 2               | 167 I Zolet    |               |        |
| 13            | Y | 4 | 0 0                | Y             | 2 | 9 R Oliveira   | Y | 3               | 123 D Sass     |               |        |
| <b>Pos 3A</b> |   |   |                    | <b>Pos 3B</b> |   |                |   | <b>Pos 4C</b>   |                |               |        |
| 3             | R | 1 | 80 M Brogni        | R             | 1 | 80 M Brogni    | R | 1               | 122 B Fior     | Winner        |        |
| 7             | G | 2 | 123 D Sass         | G             | 4 | 123 D Sass     | G | 3               | 125 A Hartmann |               |        |
| 10            | B | 3 | DNF 46 D Espindola | B             | 3 | 167 I Zolet    | B | 1               | 80 M Brogni    |               |        |
| 14            | Y | 4 | 0 0                | Y             | 2 | 9 R Oliveira   | Y | 2               | 9 R Oliveira   |               |        |
| <b>Pos 4A</b> |   |   |                    | <b>Pos 4B</b> |   |                |   | <b>Pos 4C</b>   |                |               |        |
| 2             | R | 1 | 167 I Zolet        | R             | 1 | 80 M Brogni    | R | 1               | 122 B Fior     | 5th place     |        |
| 11            | G | 2 | 9 R Oliveira       | G             | 4 | 123 D Sass     | G | 4               | 126 F Cardoso  |               |        |
| 6             | B | 3 | DNF 36 M Luiz      | B             | 3 | 167 I Zolet    | B | 2               | 167 I Zolet    |               |        |
| 15            | Y | 4 | 0 0                | Y             | 2 | 9 R Oliveira   | Y | 3               | 123 D Sass     |               |        |

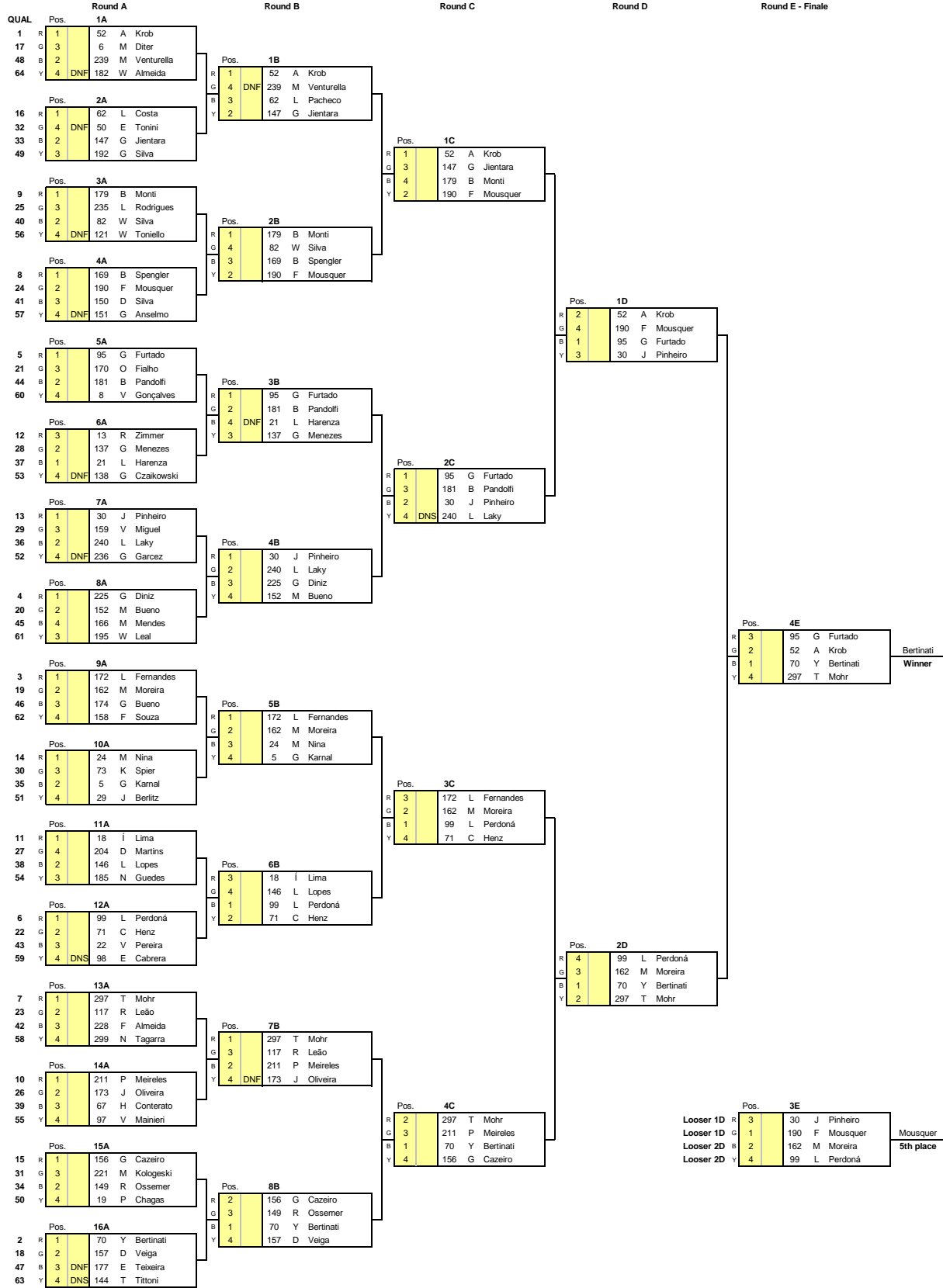
**Junior I Downhill Skateboard**

| Round A       |   |   |                        | Round B       |   |                 |   | Round C       |                |   |   | Round D - Finale |           |  |  |
|---------------|---|---|------------------------|---------------|---|-----------------|---|---------------|----------------|---|---|------------------|-----------|--|--|
| <b>Pos 1A</b> |   |   |                        | <b>Pos 1B</b> |   |                 |   | <b>Pos 1C</b> |                |   |   | <b>Pos 4D</b>    |           |  |  |
| 1             | R | 2 | 233 L Rocha            | R             | 4 | 23 G Andrade    | R | 1             | 233 L Rocha    | R | 2 | 233 L Rocha      | Winner    |  |  |
| 9             | G | 1 | 23 G Andrade           | G             | 1 | 233 L Rocha     | G | 3             | 7 O Gonçalves  | G | 4 | 293 A Fonseca    |           |  |  |
| 24            | B | 3 | 88 R Santos            | B             | 2 | 7 O Gonçalves   | B | 2             | 293 A Fonseca  | B | 1 | 202 L Batista    |           |  |  |
| 32            | Y | 3 | 0 0                    | Y             | 3 | 130 G Pinheiro  | Y | 4             | 168 E Soares   | Y | 3 | 105 A Trindade   |           |  |  |
| <b>Pos 2A</b> |   |   |                        | <b>Pos 2B</b> |   |                 |   | <b>Pos 2C</b> |                |   |   | <b>Pos 3D</b>    |           |  |  |
| 8             | R | 2 | 130 G Pinheiro         | R             | 2 | 168 E Soares    | R | 1             | 233 L Rocha    | R | 2 | 233 L Rocha      | 5th place |  |  |
| 16            | G | 4 | DNF 11 B Vieira        | G             | 3 | 77 J Henrique   | G | 3             | 7 O Gonçalves  | G | 4 | 168 E Soares     |           |  |  |
| 17            | B | 1 | 7 O Gonçalves          | B             | 1 | 293 A Fonseca   | B | 2             | 293 A Fonseca  | B | 1 | 202 L Batista    |           |  |  |
| 25            | Y | 3 | 92 V Ludwig            | Y             | 4 | 34 L Verardi    | Y | 4             | 168 E Soares   | Y | 3 | 105 A Trindade   |           |  |  |
| <b>Pos 3A</b> |   |   |                        | <b>Pos 3B</b> |   |                 |   | <b>Pos 3C</b> |                |   |   | <b>Pos 4D</b>    |           |  |  |
| 5             | R | 1 | 168 E Soares           | R             | 2 | 168 E Soares    | R | 1             | 233 L Rocha    | R | 2 | 233 L Rocha      | Winner    |  |  |
| 13            | G | 2 | 77 J Henrique          | G             | 3 | 77 J Henrique   | G | 3             | 7 O Gonçalves  | G | 4 | 293 A Fonseca    |           |  |  |
| 20            | B | 3 | 20 M Medeiros          | B             | 1 | 293 A Fonseca   | B | 2             | 293 A Fonseca  | B | 1 | 202 L Batista    |           |  |  |
| 28            | Y | 4 | DNF 119 V Voicichovski | Y             | 4 | 34 L Verardi    | Y | 4             | 168 E Soares   | Y | 3 | 105 A Trindade   |           |  |  |
| <b>Pos 4A</b> |   |   |                        | <b>Pos 4B</b> |   |                 |   | <b>Pos 4C</b> |                |   |   | <b>Pos 4D</b>    |           |  |  |
| 4             | R | 1 | 293 A Fonseca          | R             | 1 | 202 L Batista   | R | 1             | 202 L Batista  | R | 2 | 233 L Rocha      | 5th place |  |  |
| 12            | G | 2 | 34 L Verardi           | G             | 2 | 220 L Caribé    | G | 4             | 220 L Caribé   | G | 4 | 293 A Fonseca    |           |  |  |
| 21            | B | 4 | DNF 215 Y Santos       | B             | 4 | 154 B Ferroni   | B | 2             | 105 A Trindade | B | 1 | 202 L Batista    |           |  |  |
| 29            | Y | 4 | 0 0                    | Y             | 3 | 16 J Gasparotto | Y | 3             | 165 D Szymczak | Y | 3 | 105 A Trindade   |           |  |  |
| <b>Pos 5A</b> |   |   |                        | <b>Pos 5B</b> |   |                 |   | <b>Pos 5C</b> |                |   |   | <b>Pos 5D</b>    |           |  |  |
| 3             | R | 1 | 202 L Batista          | R             | 1 | 202 L Batista   | R | 1             | 202 L Batista  | R | 2 | 233 L Rocha      | 5th place |  |  |
| 11            | G | 2 | 220 L Caribé           | G             | 2 | 220 L Caribé    | G | 4             | 220 L Caribé   | G | 4 | 293 A Fonseca    |           |  |  |
| 22            | B | 3 | 109 G Kramer           | B             | 4 | 154 B Ferroni   | B | 2             | 105 A Trindade | B | 1 | 202 L Batista    |           |  |  |
| 30            | Y | 3 | 0 0                    | Y             | 3 | 16 J Gasparotto | Y | 3             | 165 D Szymczak | Y | 3 | 105 A Trindade   |           |  |  |
| <b>Pos 6A</b> |   |   |                        | <b>Pos 6B</b> |   |                 |   | <b>Pos 6C</b> |                |   |   | <b>Pos 6D</b>    |           |  |  |
| 6             | R | 2 | 16 J Gasparotto        | R             | 4 | 154 B Ferroni   | R | 1             | 202 L Batista  | R | 2 | 233 L Rocha      | 5th place |  |  |
| 14            | G | 1 | 154 B Ferroni          | G             | 4 | 64 O Dell'aglio | G | 4             | 220 L Caribé   | G | 4 | 293 A Fonseca    |           |  |  |
| 19            | B | 3 | 68 I Lima              | B             | 3 | 171 J Pereira   | B | 2             | 105 A Trindade | B | 1 | 202 L Batista    |           |  |  |
| 27            | Y | 4 | DNF 91 A Grivicich     | Y             | 1 | 105 A Trindade  | Y | 3             | 165 D Szymczak | Y | 3 | 105 A Trindade   |           |  |  |
| <b>Pos 7A</b> |   |   |                        | <b>Pos 7B</b> |   |                 |   | <b>Pos 7C</b> |                |   |   | <b>Pos 7D</b>    |           |  |  |
| 7             | R | 1 | 165 D Szymczak         | R             | 2 | 165 D Szymczak  | R | 1             | 202 L Batista  | R | 2 | 233 L Rocha      | 5th place |  |  |
| 15            | G | 3 | 79 I Pedrosa           | G             | 4 | 64 O Dell'aglio | G | 4             | 220 L Caribé   | G | 4 | 293 A Fonseca    |           |  |  |
| 18            | B | 2 | 64 O Dell'aglio        | B             | 3 | 171 J Pereira   | B | 2             | 105 A Trindade | B | 1 | 202 L Batista    |           |  |  |
| 26            | Y | 4 | DNF 96 N Machado       | Y             | 1 | 105 A Trindade  | Y | 3             | 165 D Szymczak | Y | 3 | 105 A Trindade   |           |  |  |
| <b>Pos 8A</b> |   |   |                        | <b>Pos 8B</b> |   |                 |   | <b>Pos 8C</b> |                |   |   | <b>Pos 8D</b>    |           |  |  |
| 2             | R | 2 | 105 A Trindade         | R             | 1 | 105 A Trindade  | R | 1             | 202 L Batista  | R | 2 | 233 L Rocha      | 5th place |  |  |
| 10            | G | 1 | 171 J Pereira          | G             | 4 | 64 O Dell'aglio | G | 4             | 220 L Caribé   | G | 4 | 293 A Fonseca    |           |  |  |
| 23            | B | 3 | 145 G Gindri           | B             | 3 | 171 J Pereira   | B | 2             | 105 A Trindade | B | 1 | 202 L Batista    |           |  |  |
| 31            | Y | 4 | 0 0                    | Y             | 1 | 105 A Trindade  | Y | 3             | 165 D Szymczak | Y | 3 | 105 A Trindade   |           |  |  |

**International Gravity Sports Association**  
**Event:** Mad Rats Downhill Challenge  
**Location:** São João do Deserto - Brazil  
**Date:** December 15, 2013  
**Event Level:** Continental  
**Weather:** 90°F

**Promoter:** Kaká Verardi / Douglas Silva  
**Chief Steward:** Alexandre Maia  
**Starter:** Ivandro Silveira  
**Track Conditions:** Dry  
**Course Length:** 1.5km - 0.9mi

**Junior II Downhill Skateboard**





**International Gravity Sports Association**  
**Event:** Mad Rats Downhill Challenge  
**Location:** São João do Deserto - Brazil  
**Date:** December 15, 2013  
**Event Level:** Continental  
**Weather:** 90°F

**Promoter:** Kaká Verardi / Douglas Silva  
**Chief Steward:** Alexandre Maia  
**Starter:** Ivandro Silveira  
**Track Conditions:** Dry  
**Course Length:** 1.5km - 0.9mi

**Master Downhill Skateboard**

| Round A       |   |   |                     | Round B       |   |   |                | Round C       |   |   |                | Round D - Finale |   |   |                |                      |
|---------------|---|---|---------------------|---------------|---|---|----------------|---------------|---|---|----------------|------------------|---|---|----------------|----------------------|
| <b>Pos 1A</b> |   |   |                     | <b>Pos 1B</b> |   |   |                | <b>Pos 1C</b> |   |   |                | <b>Pos 4D</b>    |   |   |                |                      |
| 1             | R | 1 | 234 S Garcia        | 2             | R | 2 | 234 S Garcia   | 2             | R | 2 | 213 M Marcante | 1                | R | 1 | 234 S Garcia   | Winner               |
| 9             | G | 2 | 213 M Marcante      | 1             | G | 1 | 213 M Marcante | 1             | G | 1 | 234 S Garcia   | 4                | G | 2 | 213 M Marcante |                      |
| 24            | B | 0 | 0                   | 3             | B | 3 | 280 P Selbach  | 4             | B | 4 | 86 J Bier      | 2                | B | 2 | 57 J Cassemiro |                      |
| 32            | Y | 0 | 0                   | 4             | Y | 4 | 155 D Amaral   | 3             | Y | 3 | 209 S Vargas   | 3                | Y | 3 | 241 A Maia     |                      |
| <b>Pos 2A</b> |   |   |                     | <b>Pos 2B</b> |   |   |                | <b>Pos 2C</b> |   |   |                | <b>Pos 3D</b>    |   |   |                |                      |
| 8             | R | 1 | 280 P Selbach       | 2             | R | 2 | 209 S Vargas   | 4             | R | 4 | 199 J Galasso  | 2                | R | 2 | 209 S Vargas   | Galasso<br>5th place |
| 16            | G | 3 | DNS 205 M Fiori     | 1             | G | 1 | 86 J Bier      | 2             | G | 2 | 241 A Maia     | 3                | G | 3 | 86 J Bier      |                      |
| 17            | B | 2 | 155 D Amaral        | 3             | B | 3 | 218 A Preto    | 1             | B | 1 | 57 J Cassemiro | 4                | B | 4 | 58 R Sena      |                      |
| 25            | Y | 0 | 0                   | 4             | Y | 4 | 229 I Silveira | 3             | Y | 3 | 58 R Sena      | 1                | Y | 1 | 199 J Galasso  |                      |
| <b>Pos 3A</b> |   |   |                     | <b>Pos 3B</b> |   |   |                | <b>Pos 3C</b> |   |   |                | <b>Pos 4B</b>    |   |   |                |                      |
| 5             | R | 2 | 86 J Bier           | 2             | R | 2 | 241 A Maia     | 4             | R | 4 | 199 J Galasso  | 2                | R | 2 | 58 R Sena      | Winner               |
| 13            | G | 3 | 187 W Airton        | 1             | G | 1 | 161 F Lock     | 2             | G | 2 | 176 F Santos   | 4                | G | 4 | 206 S Reis     |                      |
| 20            | B | 1 | 209 S Vargas        | 3             | B | 3 | 199 J Galasso  | 1             | B | 1 | 199 J Galasso  | 1                | B | 1 | 57 J Cassemiro |                      |
| 28            | Y | 0 | 0                   | 4             | Y | 4 | 176 F Santos   | 3             | Y | 3 | 176 F Santos   | 3                | Y | 3 | 56 C Barreto   |                      |
| <b>Pos 4A</b> |   |   |                     | <b>Pos 4B</b> |   |   |                | <b>Pos 4C</b> |   |   |                | <b>Pos 4D</b>    |   |   |                |                      |
| 4             | R | 1 | 218 A Preto         | 2             | R | 2 | 209 S Vargas   | 4             | R | 4 | 199 J Galasso  | 2                | R | 2 | 234 S Garcia   | Winner               |
| 12            | G | 2 | 229 I Silveira      | 1             | G | 1 | 86 J Bier      | 2             | G | 2 | 241 A Maia     | 4                | G | 4 | 213 M Marcante |                      |
| 21            | B | 3 | DNS 102 V Darocha   | 3             | B | 3 | 218 A Preto    | 1             | B | 1 | 57 J Cassemiro | 2                | B | 2 | 57 J Cassemiro |                      |
| 29            | Y | 0 | 0                   | 4             | Y | 4 | 229 I Silveira | 3             | Y | 3 | 176 F Santos   | 3                | Y | 3 | 241 A Maia     |                      |
| <b>Pos 5A</b> |   |   |                     | <b>Pos 5B</b> |   |   |                | <b>Pos 5C</b> |   |   |                | <b>Pos 5D</b>    |   |   |                |                      |
| 3             | R | 1 | 241 A Maia          | 2             | R | 2 | 241 A Maia     | 4             | R | 4 | 199 J Galasso  | 2                | R | 2 | 209 S Vargas   | Galasso<br>5th place |
| 11            | G | 2 | 161 F Lock          | 1             | G | 1 | 161 F Lock     | 2             | G | 2 | 241 A Maia     | 3                | G | 3 | 86 J Bier      |                      |
| 22            | B | 3 | DNS 139 W Wanderley | 3             | B | 3 | 199 J Galasso  | 1             | B | 1 | 57 J Cassemiro | 4                | B | 4 | 58 R Sena      |                      |
| 30            | Y | 0 | 0                   | 4             | Y | 4 | 176 F Santos   | 3             | Y | 3 | 176 F Santos   | 1                | Y | 1 | 199 J Galasso  |                      |
| <b>Pos 6A</b> |   |   |                     | <b>Pos 6B</b> |   |   |                | <b>Pos 6C</b> |   |   |                | <b>Pos 6D</b>    |   |   |                |                      |
| 6             | R | 1 | 199 J Galasso       | 2             | R | 2 | 209 S Vargas   | 4             | R | 4 | 199 J Galasso  | 2                | R | 2 | 209 S Vargas   | Galasso<br>5th place |
| 14            | G | 2 | 176 F Santos        | 1             | G | 1 | 86 J Bier      | 2             | G | 2 | 241 A Maia     | 3                | G | 3 | 86 J Bier      |                      |
| 19            | B | 3 | DNS 214 F Sales     | 3             | B | 3 | 218 A Preto    | 1             | B | 1 | 57 J Cassemiro | 4                | B | 4 | 58 R Sena      |                      |
| 27            | Y | 0 | 0                   | 4             | Y | 4 | 176 F Santos   | 3             | Y | 3 | 176 F Santos   | 1                | Y | 1 | 199 J Galasso  |                      |
| <b>Pos 7A</b> |   |   |                     | <b>Pos 7B</b> |   |   |                | <b>Pos 7C</b> |   |   |                | <b>Pos 7D</b>    |   |   |                |                      |
| 7             | R | 1 | 58 R Sena           | 2             | R | 2 | 209 S Vargas   | 4             | R | 4 | 199 J Galasso  | 2                | R | 2 | 209 S Vargas   | Galasso<br>5th place |
| 15            | G | 2 | 208 S Reis          | 1             | G | 1 | 86 J Bier      | 2             | G | 2 | 241 A Maia     | 3                | G | 3 | 86 J Bier      |                      |
| 18            | B | 3 | 143 J Oliveira      | 3             | B | 3 | 218 A Preto    | 1             | B | 1 | 57 J Cassemiro | 4                | B | 4 | 58 R Sena      |                      |
| 26            | Y | 0 | 0                   | 4             | Y | 4 | 229 I Silveira | 3             | Y | 3 | 176 F Santos   | 1                | Y | 1 | 199 J Galasso  |                      |
| <b>Pos 8A</b> |   |   |                     | <b>Pos 8B</b> |   |   |                | <b>Pos 8C</b> |   |   |                | <b>Pos 8D</b>    |   |   |                |                      |
| 2             | R | 1 | 57 J Cassemiro      | 2             | R | 2 | 209 S Vargas   | 4             | R | 4 | 199 J Galasso  | 2                | R | 2 | 209 S Vargas   | Galasso<br>5th place |
| 10            | G | 2 | 56 C Barreto        | 1             | G | 1 | 86 J Bier      | 2             | G | 2 | 241 A Maia     | 3                | G | 3 | 86 J Bier      |                      |
| 23            | B | 0 | 0                   | 3             | B | 3 | 218 A Preto    | 1             | B | 1 | 57 J Cassemiro | 4                | B | 4 | 58 R Sena      |                      |
| 31            | Y | 0 | 0                   | 4             | Y | 4 | 229 I Silveira | 3             | Y | 3 | 176 F Santos   | 1                | Y | 1 | 199 J Galasso  |                      |

**Classic Luge**

| Round A       |   |   |                 | Round B       |   |   |                 | Round C -Finale |   |   |                   |                       |
|---------------|---|---|-----------------|---------------|---|---|-----------------|-----------------|---|---|-------------------|-----------------------|
| <b>Pos 1A</b> |   |   |                 | <b>Pos 1B</b> |   |   |                 | <b>Pos 4C</b>   |   |   |                   |                       |
| 1             | R | 1 | 114 M Formica   | 2             | R | 2 | 114 M Formica   | 3               | R | 3 | 90 L Borton       | Winner                |
| 5             | G | 2 | 10 F Rocha      | 1             | G | 1 | 10 F Rocha      | 4               | G | 4 | 114 M Formica     |                       |
| 12            | B | 4 | 0 0             | 3             | B | 3 | 90 L Borton     | 1               | B | 1 | 44 W Baresi       |                       |
| 16            | Y | 4 | 0 0             | 4             | Y | 4 | 131 P Calabresi | 2               | Y | 2 | 59 A Machado      |                       |
| <b>Pos 2A</b> |   |   |                 | <b>Pos 2B</b> |   |   |                 | <b>Pos 3C</b>   |   |   |                   |                       |
| 4             | R | 1 | 90 L Borton     | 2             | R | 2 | 59 A Machado    | 2               | R | 2 | 10 F Rocha        | Palacios<br>5th place |
| 8             | G | 2 | 131 P Calabresi | 1             | G | 1 | 44 W Baresi     | 3               | G | 3 | 131 P Calabresi   |                       |
| 9             | B | 3 | 11 B Vieira     | 3             | B | 3 | 129 N Palacios  | 1               | B | 1 | 129 N Palacios    |                       |
| 13            | Y | 4 | 0 0             | 4             | Y | 4 | 206 R Piñango   | 4               | Y | 4 | DNS 206 R Piñango |                       |
| <b>Pos 3A</b> |   |   |                 | <b>Pos 3B</b> |   |   |                 | <b>Pos 3C</b>   |   |   |                   |                       |
| 3             | R | 3 | 83 M Benedetto  | 2             | R | 2 | 59 A Machado    | 2               | R | 2 | 10 F Rocha        | Palacios<br>5th place |
| 7             | G | 2 | 44 W Baresi     | 1             | G | 1 | 44 W Baresi     | 3               | G | 3 | 131 P Calabresi   |                       |
| 10            | B | 1 | 59 A Machado    | 3             | B | 3 | 129 N Palacios  | 1               | B | 1 | 129 N Palacios    |                       |
| 14            | Y | 4 | 0 0             | 4             | Y | 4 | 206 R Piñango   | 4               | Y | 4 | DNS 206 R Piñango |                       |
| <b>Pos 4A</b> |   |   |                 | <b>Pos 4B</b> |   |   |                 | <b>Pos 4C</b>   |   |   |                   |                       |
| 2             | R | 1 | 129 N Palacios  | 2             | R | 2 | 59 A Machado    | 2               | R | 2 | 10 F Rocha        | Palacios<br>5th place |
| 6             | G | 2 | 206 R Piñango   | 1             | G | 1 | 44 W Baresi     | 3               | G | 3 | 131 P Calabresi   |                       |
| 11            | B | 4 | 0 0             | 3             | B | 3 | 129 N Palacios  | 1               | B | 1 | 129 N Palacios    |                       |
| 15            | Y | 4 | 0 0             | 4             | Y | 4 | 206 R Piñango   | 4               | Y | 4 | DNS 206 R Piñango |                       |

**International Gravity Sports Association**  
**Event:** Mad Rats Downhill Challenge  
**Location:** São João do Deserto - Brazil  
**Date:** December 15, 2013  
**Event Level:** Continental  
**Weather:** 90°F

**Promoter:** Kaká Verardi / Douglas Silva  
**Chief Steward:** Alexandre Maia  
**Starter:** Ivandro Silveira  
**Track Conditions:** Dry  
**Course Length:** 1.5km - 0.9mi

**Street Luge**

