

**International Gravity Sports Association**

**Event:** Copa De Los Andes  
**Location:** Tarma Peru  
**Date:** October 30, 2011  
**Event Level:** World Cup - South America  
**Weather:** Varied

**Promoter:** Pablo Seoane  
**Chief Steward:** Norman Kinnish  
**Starter:** Alexandre Maia  
**Track Conditions:** Varied  
**Course Length:** 2.9km - 1.8mi

**Downhill Skateboard Results**

Pos	No	Surname	First Name	Nat	Best	Points
1	30	Stephens	Dillon	CAN	3:08.630	450.00
2	164	Malaga	Felipe	PER	3:11.318	432.62
3	4	Silva	Douglas (dalua)	BRA	3:07.728	424.37
4	2	Switzer	Patrick	CAN	3:06.756	416.84
5	10	Shapeira	Jackson	AUS	3:08.256	409.88
6	96	Craig	Travis	CAN	3:13.652	403.36
7	121	Tongue	Alex	USA	3:12.519	397.22
8	18	Dean Ovalhe	Danky	BRA	3:11.509	391.40
9	84	Ballesteros	Max	BRA	3:11.512	385.84
10	111	Alemparte	Diego	CHI	3:11.653	380.52
11	95	Martin	Kyle	CAN	3:12.728	375.41
12	82	Garcia	Alysson	BRA	3:16.593	370.49
13	8	Erban	Mischo	CAN	3:10.835	365.74
14	94	Buksa	Graham	CAN	3:14.944	361.13
15	61	Manzitti	Federico	ARG	3:15.457	356.66
16	15	Sandberg	Robin	SWE	3:15.457	352.32
17	6	Kelly	James	USA	3:10.907	348.10
18	79	Malessa	Wendel	BRA	3:17.289	343.98
19	88	Lins	Luis	BRA	3:17.370	339.96
20	92	Cassemiro	Juliano	BRA	3:18.367	336.03
21	118	Cespedes	Camilo	COL	3:18.968	332.19
22	5	Neilson (F)	Katie	CAN	3:20.011	328.43
23	128	Carella Ortiz	Aldo	PER	3:20.107	324.75
24	59	Bovetti	Christian	ARG	3:25.845	321.14
25	70	Mcwhinnie	Robert	AUS	3:15.188	317.59
26	117	Rodriguez	Mauricio	COL	3:15.607	314.11
27	71	Coleman	Luca	AUS	3:15.937	310.69
28	90	Bontorin Bette	Lucas	BRA	3:17.510	307.33
29	180	Guerra	Diego	PER	3:18.177	304.02
30	182	Cortez	Jose	PER	3:20.423	300.77
31	172	Toledo	Kevin	PER	3:25.753	297.56
32	65	Falcioni	Lukas	ARG	3:17.676	294.40
33	62	Vinassa	Luis	ARG	3:14.135	291.29
34	181	Paredes	Gustavo	PER	3:18.744	288.22
35	154	Montoya Pradel	Christian	PER	3:22.340	285.19
36	200	Rivera	Alonso	PER	3:22.848	282.20
37	163	Mendez	Cesar	PER	3:23.123	279.25
38	69	Barrera	Luciano	ARG	3:23.474	276.34
39	112	Perne	Ignacio	CHI	3:23.735	273.46
40	110	Schuler	Francisco	CHI	3:24.208	270.62
41	67	Privitera	Andres	ARG	3:24.610	267.81
42	52	Miguez	Hernan Alejandro	ARG	3:24.611	265.04
43	148	Villegas	Jonathan	PER	3:25.633	262.29
44	165	Larco	Victor Federico	PER	3:25.727	259.58
45	162	Falcon	Kenneth	PER	3:25.751	256.89
46	120	Onchi	Curtis	USA	3:26.363	254.23
47	171	Gonzalez	Fabian	CHI	3:27.495	251.60
48	149	Cuya	Jonathan Arturo	PER	3:28.788	249.00
49	184	Vasquez	Marcos	ARG	3:20.020	246.42
50	183	Salomon	Naif	PER	3:21.900	243.86
51	108	Pons	Victor Patricio	CHI	3:22.311	241.33

**International Gravity Sports Association**

**Event:** Copa De Los Andes  
**Location:** Tarma Peru  
**Date:** October 30, 2011  
**Event Level:** World Cup - South America  
**Weather:** Varied

**Promoter:** Pablo Seoane  
**Chief Steward:** Norman Kinnish  
**Starter:** Alexandre Maia  
**Track Conditions:** Varied  
**Course Length:** 2.9km - 1.8mi

**Downhill Skateboard Continued Results**

Pos	No	Surname	First Name	Nat	Best	Points
52	57	Rubiño	Andres	ARG	3:22.822	238.83
53	53	Balcells	Alvaro	ARG	3:23.099	236.34
54	109	Gana	Damian	CHI	3:24.570	233.88
55	158	Bretoneche	Edgardo	PER	3:26.048	231.44
56	60	Fernandez	Alejandro Nicolas	ARG	3:27.730	229.02
57	63	Dragone	Luca	ARG	3:27.733	226.63
58	168	Mestanza	Jorge	PER	3:29.032	224.25
59	115	Sanchez	Alejandro	COL	3:32.481	221.89
60	73	Padua	Daniel	BRA	3:14.378	219.55
61	135	Canales	Andres Ricardo	PER	3:26.918	217.23
62	76	Carrilho	Gabriel	BRA	3:27.521	214.93
63	152	Perea	Enrico	PER	3:28.638	212.65
64	51	Butschek	Simon	ARG	3:30.876	210.38
65	150	Morante	Rodrigo	PER	3:33.918	208.13
66	155	Chacaltana	Renzo	PER	3:35.028	205.89
67	116	Alvarez	Sebastian	COL	3:35.295	203.68
68	159	Torres	Marco	PER	3:35.370	201.48
69	167	Musso	Duiglio	PER	3:37.393	199.29
70	174	Candela	Rafael	PER	3:38.243	197.12
71	138	Nuñez (F)	Marisa	PER	3:38.873	194.96
72	132	Bahamonde	Arturo	PER	3:41.388	192.82
73	58	Virgolini	Augustin	ARG	3:41.852	190.70
74	133	Llona	Pablo Emilio	PER	3:41.959	188.58
75	166	Brandon	Gonzalo	PER	3:43.294	186.49
76	139	Aguirre	Gonzalo	PER	3:44.325	184.40
77	145	Becerra	Marco	PER	3:45.366	182.33
78	140	Pretto	Claudio	PER	3:47.233	180.27
79	147	Vasquez	Francisco Pascual	PER	3:49.110	178.22
80	170	Murgolo (F)	Micku	VEN	3:50.751	176.19
81	85	Aleixo (F)	Christie	BRA	3:51.007	174.17
82	173	Backlund (F)	Ishtas	SWE	3:52.570	172.16
83	153	Nuñuvero	Jean Pierre	PER	4:09.881	170.16
84	91	Oliveira (F)	Reine	BRA	4:31.353	168.17
85	130	Mcwhinnie (F)	Magaly	PER	4:38.195	166.20
86	777	Malaga (F)	Rafaela	PER	4:55.961	164.24
87	141	Jenkins	Mateo	PER	5:03.926	162.28
88	151	Fontana	Rodrigo	PER	11:01.443	160.34

**Women Downhill Skateboard Results**

Pos	No	Surname	First Name	Nat	Best	Points
1	5	Neilson	Katie	CAN	3:20.011	450.00
2	85	Aleixo	Christie	BRA	3:51.007	432.62
3	170	Murgolo	Micku	VEN	3:50.751	424.37
4	138	Nuñez	Marisa	PER	3:38.873	416.84
5	173	Backlund	Ishtas	SWE	3:52.570	409.88
6	91	Oliveira	Reine	BRA	4:31.353	403.36
7	777	Malaga	Rafaela	PER	4:55.961	397.22
8	130	Mcwhinnie	Magaly	PER	4:38.195	391.40

**International Gravity Sports Association**

**Event:** Copa De Los Andes  
**Location:** Tarma Peru  
**Date:** October 30, 2011  
**Event Level:** World Cup - South America  
**Weather:** Varied

**Promoter:** Pablo Seoane  
**Chief Steward:** Norman Kinnish  
**Starter:** Alexandre Maia  
**Track Conditions:** Varied  
**Course Length:** 2.9km - 1.8mi

**Junior 1 Downhill Skateboard Results (Age 8-13)**

<b>Pos</b>	<b>No</b>	<b>Surname</b>	<b>First Name</b>	<b>Nat</b>	<b>Best</b>	<b>Points</b>
1	166	Brandon	Gonzalo	PER	3:43.294	450.00
2	151	Fontana	Rodrigo	PER	11:01.443	432.62

**Junior 2 Downhill Skateboard Results (Age 14-17)**

<b>Pos</b>	<b>No</b>	<b>Surname</b>	<b>First Name</b>	<b>Nat</b>	<b>Best</b>	<b>Points</b>
1	181	Paredes	Gustavo	PER	3:18.744	450.00
2	73	Padua	Daniel	BRA	3:14.378	432.62
3	108	Pons	Victor Patricio	CHI	3:22.311	424.37
4	59	Bovetti	Christian	ARG	3:25.845	416.84
5	133	Llona	Pablo Emilio	PER	3:41.959	409.88
6	141	Jenkins	Mateo	PER	5:03.926	403.36
7	172	Toledo	Kevin	PER	3:25.753	397.22
8	135	Canales	Andres Ricardo	PER	3:26.918	391.40
9	139	Aguirre	Gonzalo	PER	3:44.325	385.84
10	150	Morante	Rodrigo	PER	3:33.918	380.52

**Classic Luge Results**

<b>Pos</b>	<b>No</b>	<b>Surname</b>	<b>First Name</b>	<b>Nat</b>	<b>Best</b>	<b>Points</b>
1	75	Machado	Alexandre	BRA	DNS	450.00
2	80	Ribeiro	Walter	BRA	DNS	432.62
3	122	McBride	Chris	USA	DNS	424.37

**Street Luge Results**

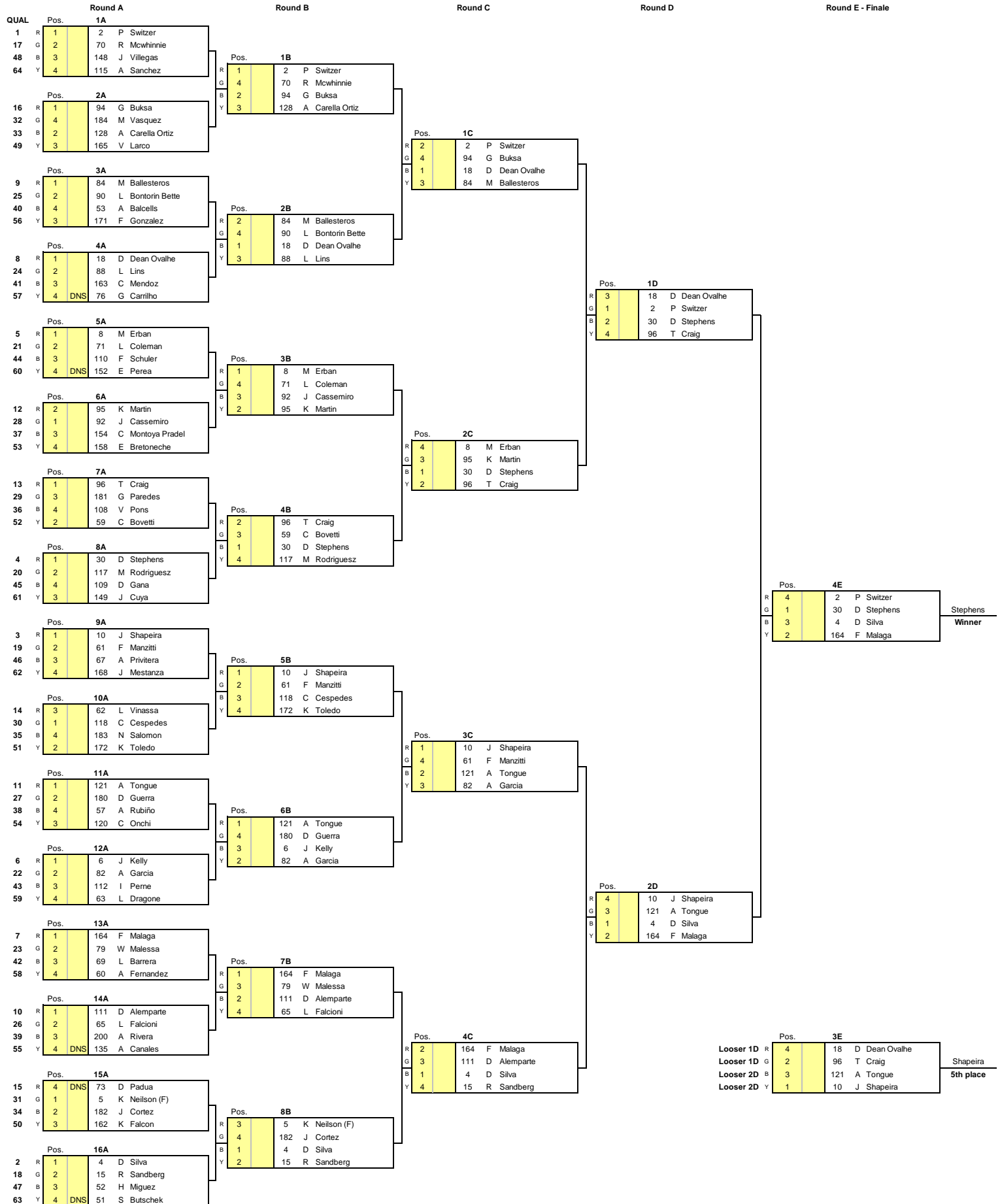
<b>Pos</b>	<b>No</b>	<b>Surname</b>	<b>First Name</b>	<b>Nat</b>	<b>Best</b>	<b>Points</b>
1	80	Ribeiro	Walter	BRA	3:10.054	450.00
2	75	Machado	Alexandre	BRA	3:06.364	432.62
3	122	McBride	Chris	USA	3:09.441	424.37
4	97	Bisquertt	Rodrigo	CHI	3:12.362	416.84

**International Gravity Sports Association**

**Event:** Copa De Los Andes  
**Location:** Tarma Peru  
**Date:** October 30, 2011  
**Event Level:** World Cup - South America  
**Weather:** Varied

**Promoter:** Pablo Seoane  
**Chief Steward:** Norman Kinnish  
**Starter:** Alexandre Maia  
**Track Conditions:** Varied  
**Course Length:** 2.9km - 1.8mi

**Downhill Skateboard**



**International Gravity Sports Association**

**Event:** Copa De Los Andes  
**Location:** Tarma Peru  
**Date:** October 30, 2011  
**Event Level:** World Cup - South America  
**Weather:** Varied

**Promoter:** Pablo Seoane  
**Chief Steward:** Norman Kinnish  
**Starter:** Alexandre Maia  
**Track Conditions:** Varied  
**Course Length:** 2.9km - 1.8mi

**Women Downhill Skateboard**

Round A				Round B - Finale																																			
QUAL	Pos	1A		Pos	2B																																		
1	R	1	5 K Neilson	1	5	K Neilson	Neilson Winner																																
3	G	2	170 M Murgolo	3	170	M Murgolo																																	
6	B	4	91 R Oliveira	4	138	M Nuñez																																	
8	Y	3	777 R Malaga	2	85	C Aleixo																																	
<table border="1"> <thead> <tr> <th>Pos</th> <th colspan="2">2A</th> </tr> </thead> <tbody> <tr> <td>1</td> <td>R</td> <td>138 M Nuñez</td> </tr> <tr> <td>4</td> <td>G</td> <td>85 C Aleixo</td> </tr> <tr> <td>5</td> <td>B</td> <td>173 I Backlund</td> </tr> <tr> <td>7</td> <td>Y</td> <td>130 M Mcwhinnie</td> </tr> </tbody> </table>				Pos	2A		1	R	138 M Nuñez	4	G	85 C Aleixo	5	B	173 I Backlund	7	Y	130 M Mcwhinnie	<table border="1"> <thead> <tr> <th>Pos</th> <th colspan="2">1B</th> </tr> </thead> <tbody> <tr> <td>3</td> <td>R</td> <td>777 R Malaga</td> </tr> <tr> <td>2</td> <td>G</td> <td>91 R Oliveira</td> </tr> <tr> <td>1</td> <td>B</td> <td>173 I Backlund</td> </tr> <tr> <td>4</td> <td>Y</td> <td>130 M Mcwhinnie</td> </tr> </tbody> </table>				Pos	1B		3	R	777 R Malaga	2	G	91 R Oliveira	1	B	173 I Backlund	4	Y	130 M Mcwhinnie	Backlund 5th place	
Pos	2A																																						
1	R	138 M Nuñez																																					
4	G	85 C Aleixo																																					
5	B	173 I Backlund																																					
7	Y	130 M Mcwhinnie																																					
Pos	1B																																						
3	R	777 R Malaga																																					
2	G	91 R Oliveira																																					
1	B	173 I Backlund																																					
4	Y	130 M Mcwhinnie																																					
<p>Looser 1A R 3 777 R Malaga                  Looser 1A G 2 91 R Oliveira                  Looser 2A B 1 173 I Backlund                  Looser 2A Y 4 130 M Mcwhinnie</p>																																							

**Junior I Downhill Skateboard**

Round A				Round B - Finale									
QUAL	Pos	1A		Pos	2B								
1	R	1	166 G Brandon	1	166	G Brandon	Brandon Winner						
4	G			2	151	R Fontana							
<table border="1"> <thead> <tr> <th>Pos</th> <th colspan="2">2A</th> </tr> </thead> <tbody> <tr> <td>1</td> <td>R</td> <td>151 R Fontana</td> </tr> </tbody> </table>				Pos	2A		1	R	151 R Fontana				
Pos	2A												
1	R	151 R Fontana											

**Junior II Downhill Skateboard**

Round A				Round B				Round C -Finale																												
QUAL	Pos	1A		Pos	1B		Pos	4C																												
1	R	1	73 D Padua	1	73	D Padua	Paredes Winner																													
5	G	2	59 C Bovetti	2	59	C Bovetti																														
12	B			4	DNS	K Toledo																														
16	Y			3	133	P Llona																														
<table border="1"> <thead> <tr> <th>Pos</th> <th colspan="2">2A</th> </tr> </thead> <tbody> <tr> <td>4</td> <td>R</td> <td>172 K Toledo</td> </tr> <tr> <td>8</td> <td>G</td> <td>133 P Llona</td> </tr> <tr> <td>9</td> <td>B</td> <td>139 G Aguirre</td> </tr> </tbody> </table>				Pos	2A		4	R	172 K Toledo	8	G	133 P Llona	9	B	139 G Aguirre	<table border="1"> <thead> <tr> <th>Pos</th> <th colspan="2">2B</th> </tr> </thead> <tbody> <tr> <td>2</td> <td>R</td> <td>108 V Pons</td> </tr> <tr> <td>3</td> <td>G</td> <td>141 M Jenkins</td> </tr> <tr> <td>1</td> <td>B</td> <td>181 G Paredes</td> </tr> <tr> <td>4</td> <td>Y</td> <td>DNS 135 A Canales</td> </tr> </tbody> </table>				Pos	2B		2	R	108 V Pons	3	G	141 M Jenkins	1	B	181 G Paredes	4	Y	DNS 135 A Canales		
Pos	2A																																			
4	R	172 K Toledo																																		
8	G	133 P Llona																																		
9	B	139 G Aguirre																																		
Pos	2B																																			
2	R	108 V Pons																																		
3	G	141 M Jenkins																																		
1	B	181 G Paredes																																		
4	Y	DNS 135 A Canales																																		
<table border="1"> <thead> <tr> <th>Pos</th> <th colspan="2">3A</th> </tr> </thead> <tbody> <tr> <td>3</td> <td>R</td> <td>108 V Pons</td> </tr> <tr> <td>7</td> <td>G</td> <td>150 R Morante</td> </tr> <tr> <td>10</td> <td>B</td> <td>141 M Jenkins</td> </tr> </tbody> </table>				Pos	3A		3	R	108 V Pons	7	G	150 R Morante	10	B	141 M Jenkins	<table border="1"> <thead> <tr> <th>Pos</th> <th colspan="2">4A</th> </tr> </thead> <tbody> <tr> <td>2</td> <td>R</td> <td>181 G Paredes</td> </tr> <tr> <td>6</td> <td>G</td> <td>135 A Canales</td> </tr> </tbody> </table>				Pos	4A		2	R	181 G Paredes	6	G	135 A Canales								
Pos	3A																																			
3	R	108 V Pons																																		
7	G	150 R Morante																																		
10	B	141 M Jenkins																																		
Pos	4A																																			
2	R	181 G Paredes																																		
6	G	135 A Canales																																		
<table border="1"> <thead> <tr> <th>Pos</th> <th colspan="2">4B</th> </tr> </thead> <tbody> <tr> <td>1</td> <td>R</td> <td>73 D Padua</td> </tr> <tr> <td>4</td> <td>G</td> <td>59 C Bovetti</td> </tr> <tr> <td>1</td> <td>B</td> <td>181 G Paredes</td> </tr> <tr> <td>3</td> <td>Y</td> <td>108 V Pons</td> </tr> </tbody> </table>				Pos	4B		1	R	73 D Padua	4	G	59 C Bovetti	1	B	181 G Paredes	3	Y	108 V Pons																		
Pos	4B																																			
1	R	73 D Padua																																		
4	G	59 C Bovetti																																		
1	B	181 G Paredes																																		
3	Y	108 V Pons																																		

**International Gravity Sports Association**

**Event:** Copa De Los Andes  
**Location:** Tarma Peru  
**Date:** October 30, 2011  
**Event Level:** World Cup - South America  
**Weather:** Varied

**Promoter:** Pablo Seoane  
**Chief Steward:** Norman Kinnish  
**Starter:** Alexandre Maia  
**Track Conditions:** Varied  
**Course Length:** 2.9km - 1.8mi

**Classic Luge**

QUAL	No	Surname	First Name	Heat #1	Heat #2	Heat #3	Total Points	Pos
1	75	Machado	Alexandre	1	DNS	DNS	1	1
2	80	Ribeiro	Walter	2	DNS	DNS	2	2
3	122	McBride	Chris	3	DNS	DNS	3	3

**Street Luge**

QUAL	No	Surname	First Name	Heat #1	Heat #2	Heat #3	Total Points	Pos
1	75	Machado	Alexandre	2	1	2	5	2
2	122	McBride	Chris	3	3	3	9	3
3	80	Ribeiro	Walter	1	2	1	4	1
4	97	Bisquertt	Rodrigo	4	DNS	4	12	4