

International Gravity Sports Association

Event: Insul Cup
Location: Insul, Germany
Date: July 30, 2011
Event Level: World Cup
Weather: Overcast

Promoter: Lutz Wagenhauser
Chief Steward: Norman Kinnish
Starter: Marcus Rietema
Track Conditions: Dry
Course Length: 2.1 km (1.3mi)

Downhill Skateboard Results

Pos	No	Surname	First Name	Nat	Best	Points
1	1	Switzer	Patrick	CAN	2:24.824	450.00
2	8	Rüfli	Stefan	SUI	2:27.819	432.62
3	150	Tongue	Alex	USA	2:27.645	424.37
4	17	Shinke	Boris	GER	2:27.501	416.84
5	19	Sunde	Torbjørn	NOR	2:30.512	409.88
6	87	Kolpatzik	Stefan	GER	2:28.957	403.36
7	10	Robert	Nicolas	SUI	2:28.359	397.22
8	69	Hertler	Sebastian	GER	2:28.317	391.40
9	3	Kelly	James	USA	2:29.314	385.84
10	178	Kowalski	Dominik	GER	2:29.357	380.52
11	112	Barnet	John	CAN	2:31.924	375.41
12	6	Chapman	Andrew	CAN	2:26.234	370.49
13	2	Smith	Scoot	CAN	2:30.070	365.74
14	12	Sandberg	Robin	SWE	2:33.290	361.13
15	24	Trygve	Flebu	NOR	2:34.532	356.66
16	14	Fuchs	Bruno	SUI	2:28.931	352.32
17	177	Garcia	Silon	BRA	2:29.021	348.10
18	5	Erban	Mischo	CAN	2:29.484	343.98
19	28	Ballesteros	Max	BRA	2:30.052	339.96
20	7	Shapiera	Jackson	AUS	2:30.134	336.03
21	165	Buksa	Graham	USA	2:30.192	332.19
22	18	Ritter	Leon	GER	2:30.729	328.43
23	39	Courtois	Thibault	FRA	2:31.015	324.75
24	139	Siegrist	Martin	SUI	2:25.927	321.14
25	180	Ulrich	Alexandre	GER	2:29.517	317.59
26	44	Raab	Jakob	GER	2:30.310	314.11
27	20	Persson	Adam	SWE	2:30.777	310.69
28	51	Erdbrink	Andreas	GER	2:30.928	307.33
29	40	D'Elia Martin	Alexander	ESP	2:31.324	304.02
30	57	Rousseau	Maxim	CAN	2:31.385	300.77
31	125	Readings	Justin	CAN	2:32.220	297.56
32	15	Melo	Luke	CAN	2:30.299	294.40
33	21	Labarthe	Yvon	SUI	2:31.686	291.29
34	90	Krimm	Johannes	GER	2:32.842	288.22
35	66	Hass	Benjamin	GER	2:32.877	285.19
36	46	Dehmel	Alex	GER	2:32.921	282.20
37	127	Risch	Stephan	GER	2:32.988	279.25
38	30	Bareaud	Olivier	FRA	2:33.081	276.34
39	36	Slivencky	Michal	CZE	2:33.095	273.46
40	71	Imanol	Ormazabal	ESP	2:33.193	270.62
41	26	Alvaro	Bajo	ESP	2:33.352	267.81
42	140	Slaughter	Oliver	GBR	2:33.705	265.04
43	62	Gugel	Daniel	GER	2:34.466	262.29
44	128	Rogalski	Philipp	GER	2:34.501	259.58
45	154	Wangsten	Fredrik	SWE	2:34.724	256.89
46	68	Hawes	Daniel	AUS	2:34.810	254.23
47	53	Fischbach	Jonathan	GER	2:34.845	251.60
48	61	Gniadek	Andreas	GER	2:31.547	249.00
49	23	Dehmel	Oliver	GER	2:31.579	246.42
50	143	Smith	Spencer	USA	2:31.893	243.86
51	22	Simonsen	Johan	NOR	2:32.519	241.33

International Gravity Sports Association

Event: Insul Cup
Location: Insul, Germany
Date: July 30, 2011
Event Level: World Cup
Weather: Overcast

Promoter: Lutz Wagenhauser
Chief Steward: Norman Kinnish
Starter: Marcus Rietema
Track Conditions: Dry
Course Length: 2.1 km (1.3mi)

Downhill Skateboard Continued Results

Pos	No	Surname	First Name	Nat	Best	Points
52	162	Neilson (F)	Katie	CAN	2:34.909	238.83
53	35	Budig	Norman	GER	2:35.372	236.34
54	160	Larsson	Albin	SWE	2:35.434	233.88
55	96	Laute	Fabian	GER	2:35.486	231.44
56	122	Plötz	Alex	GER	2:35.835	229.02
57	54	Fouz Rey	Pablo	ESP	2:35.909	226.63
58	78	Griffiths	John	GBR	2:35.942	224.25
59	180	Wagenhauser	Lutz	GER	2:36.253	221.89
60	11	Bowditch	Michael	USA	2:36.304	219.55
61	111	Meyer	Christian	GER	2:36.527	217.23
62	151	Torstensson	Stefan	SWE	2:36.591	214.93
63	137	Schwall	Leon	GER	2:37.101	212.65
64	75	Jensen	Mikael (kula)	NOR	2:37.161	210.38
65	27	Lessman	Mathias	BRA	2:37.303	208.13
66	25	Althoff	Marco	GER	2:37.388	205.89
67	70	Hietala	Ville	FIN	2:37.502	203.68
68	124	Kalau Vom Hofe	Michal	CZE	2:37.578	201.48
69	73	Janne	Lehtinen	FIN	2:37.789	199.29
70	141	Skippings	Aaron	GBR	2:37.848	197.12
71	109	Mehnert	Timo	GER	2:37.869	194.96
72	95	Lassen	Jan Ove	GER	2:37.930	192.82
73	153	Beber	Pascal	SUI	2:37.957	190.70
74	166	Bassler	Sebastian	GER	2:38.194	188.58
75	88	Eliassen	Steffen	NOR	2:38.779	186.49
76	129	Roosen	Marcel	GER	2:39.036	184.40
77	142	Sommer	Frank	GER	2:39.113	182.33
78	80	Kosonen	Juho	FIN	2:39.155	180.27
79	93	Lachlan	Carey	AUT	2:39.377	178.22
80	58	Gemperle (F)	Rebekka	SUI	2:39.508	176.19
81	148	Tibbles	Braden	CAN	2:39.833	174.17
82	74	Javier	Molina	ESP	2:40.268	172.16
83	41	Kornieko (F)	Dasha	CAN	2:40.493	170.16
84	29	Bandtholz	Sebastian	GER	2:40.544	168.17
85	161	Druschel	Felix	GER	2:40.806	166.20
86	152	Vanourek	Marek	CZE	2:41.217	164.24
87	119	Froelund	Oscar	SWE	2:41.452	162.28
88	97	Leupold	Konrad	GER	2:41.744	160.34
89	77	Johansson	Robert	SWE	2:41.835	158.41
90	85	Klamm	Florian	GER	2:41.881	156.49
91	110	Meurling	Max	SWE	2:41.972	154.58
92	102	Bougourd (F)	Marie	FRA	2:42.369	152.68
93	76	Jepson	Oliver	GBR	2:42.383	150.79
94	50	Engstrand (F)	Kristina	SWE	2:42.560	148.91
95	52	Feldmann	Dirk	GER	2:42.918	147.04
96	45	Dederer	Uwe	GER	2:42.949	145.18
97	114	Morgando	Thibault	FRA	2:43.529	143.33
98	103	Markiewicz	Alexandre	FRA	2:43.668	141.49
99	156	Willhöft	Alexander	GER	2:43.706	139.66
100	126	Riekkinnen	Samuli	FIN	2:44.038	137.83
101	113	Monk	Josh	GBR	2:44.269	136.02
102	163	Jackobsen	Fredric	NOR	2:44.288	134.21

International Gravity Sports Association

Event: Insul Cup
Location: Insul, Germany
Date: July 30, 2011
Event Level: World Cup
Weather: Overcast

Promoter: Lutz Wagenhauser
Chief Steward: Norman Kinnish
Starter: Marcus Rietema
Track Conditions: Dry
Course Length: 2.1 km (1.3mi)

Downhill Skateboard Continued Results

Pos	No	Surname	First Name	Nat	Best	Points
103	131	Herman	Martin	CZE	2:44.429	132.42
104	38	Claessens	Michael	BEL	2:44.582	130.63
105	104	Niklasson	Benjamin	SWE	2:44.871	128.85
106	117	Nilsson (F)	Kim	SWE	2:45.019	127.07
107	55	Francisco Javierv	Velasco	ESP	2:45.633	125.31
108	99	Luxat	Alex	GER	2:45.885	123.55
109	158	Zerweck	Paul	GER	2:46.009	121.81
110	149	Tobrand	Alexander	SWE	2:46.027	120.07
111	43	Dederer	Jan	GER	2:46.548	118.33
112	106	Mattila	Anssi	FIN	2:47.075	116.61
113	64	Theis	Gregor	GER	2:47.183	114.89
114	92	Kurz	Stefan	GER	2:47.228	113.18
115	16	Hahlbrock	Jan	GER	2:47.921	111.48
116	179	Buchholz	Felix	GER	2:48.272	109.78
117	132	Salminen (F)	Janne	FIN	2:48.600	108.09
118	159	Schlickwei	Benjamin	GER	2:49.669	106.41
119	67	Haverson	Simon	GBR	2:49.804	104.74
120	48	Eckbauer	Christopher	GER	2:49.896	103.07
121	123	Prader (F)	Tamara	SUI	2:49.908	101.41
122	60	Gires	Olivier	GER	2:51.086	99.76
123	146	Tanger	Mathias	GER	2:51.653	98.11
124	72	Jaakola (F)	Hanna	FIN	2:52.525	96.47
125	65	Harryson	Nikolaus	SWE	2:54.912	94.84
126	121	Lunneryd	Patrik	SWE	2:59.104	93.21
127	91	Kupsch (F)	Gloria	GER	3:00.272	91.59
128	81	Kalau Vom Hofe	Jorge	ESP	3:02.307	89.96
129	84	Kaske (F)	Anne	GER	3:02.572	88.34
130	120	Paakkari	Ulf	SWE	3:02.601	86.72
131	98	Liebing (F)	Fabienne	GER	3:03.000	85.10
132	135	Schreckenber	Felix	GER	3:05.180	83.48
133	4	Königshausen	Ramón	SUI	2:27.483	DSQ

Women Downhill Skateboard Results

Pos	No	Surname	First Name	Nat	Best	Points
1	162	Neilson	Katie	CAN	2:34.909	450.00
2	50	Engstrand	Kristina	SWE	2:42.560	432.62
3	41	Kornieko	Dasha	CAN	2:40.493	424.37
4	58	Gemperle	Rebekka	SUI	2:39.508	416.84
5	102	Bougourd	Marie	FRA	2:42.369	409.88
6	72	Jaakola	Hanna	FIN	2:52.525	403.36
7	123	Prader	Tamara	SUI	2:49.908	397.22
8	91	Kupsch	Gloria	GER	3:00.272	391.40
9	84	Kaske	Anne	GER	3:02.572	385.84
10	98	Liebing	Fabienne	GER	3:03.000	380.52

Junior 1 Downhill Skateboard Results (Age 8-13)

Pos	No	Surname	First Name	Nat	Best	Points
1	59	Gires	Lenny	GER	2:42.863	450.00
2	43	Dederer	Jan	GER	2:46.548	432.62
3	133	Schickor	Philip	GER	2:57.608	424.37
4	82	Kalb	Gero	GER	3:02.801	416.84

International Gravity Sports Association

Event: Insul Cup
Location: Insul, Germany
Date: July 30, 2011
Event Level: World Cup
Weather: Overcast

Promoter: Lutz Wagenhauser
Chief Steward: Norman Kinnish
Starter: Marcus Rietema
Track Conditions: Dry
Course Length: 2.1 km (1.3mi)

Junior 2 Downhill Skateboard Results (Age 14-17)

Pos	No	Surname	First Name	Nat	Best	Points
1	143	Smith	Spencer	USA	2:31.893	450.00
2	154	Wangsten	Fredrik	SWE	2:34.724	432.62
3	54	Fouz Rey	Pablo	ESP	2:35.909	424.37
4	119	Froelund	Oscar	SWE	2:41.452	416.84
5	34	Borek	Rob	GBR	2:42.496	409.88
6	110	Meurling	Max	SWE	2:41.972	403.36
7	136	Schulte	Maximilian	GER	2:41.683	397.22
8	158	Zerweck	Paul	GER	2:46.009	391.40
9	149	Tobrand	Alexander	SWE	2:46.027	385.84
10	63	Hagman	Edvard	SWE	2:49.235	380.52

Classic Luge Results

Pos	No	Surname	First Name	Nat	Best	Points
1	138	Serek	Michael	AUT	2:25.481	450.00
2	47	Echegaray Diez	Mikel	ESP	2:27.594	432.62
3	21	Labarthe	Yvon	SUI	2:28.692	424.37
4	94	Lang	Joachim	GER	2:31.487	416.84
5	116	Naude	Russel	RSA	2:32.976	409.88
6	134	Schmit (F)	Helene	FRA	2:31.741	403.36
7	86	Klotzberg	Georg	AUT	2:32.241	397.22
8	49	Eliot	Peter	GBR	2:36.244	391.40
9	56	Frischauf	Alexander	AUT	2:34.049	385.84
10	114	Morgando	Thibault	FRA	2:36.660	380.52
11	108	Mckirdy	Nic	AUS	2:36.997	375.41
12	151	Torstensson	Stefan	SWE	2:37.550	370.49
13	105	Martinsen	Lars	NOR	2:37.545	365.74
14	107	Mcbride	Chris	USA	2:40.669	361.13
15	79	Alcade	Jorge	ESP	2:41.009	356.66
16	83	Kalb	Gunnar	GER	2:38.030	352.32
17	82	Kalb	Gero	GER	2:44.484	348.10
18	130	Rulleau	Philippe	FRA	2:45.624	343.98
19	32	Bewley	Ben	GBR	2:47.098	339.96
20	31	Berdon (F)	Frederique	FRA	2:47.906	336.03
21	155	Stephenson	Will	GBR	2:43.663	332.19

Street Luge Results

Pos	No	Surname	First Name	Nat	Best	Points
1	21	Labarthe	Yvon	SUI	2:25.693	450.00
2	49	Eliot	Peter	GBR	2:27.836	432.62
3	47	Echegaray Diez	Mikel	ESP	2:25.110	424.37
4	100	Mahdzan	Abdil	MAS	2:29.494	416.84
5	155	Stephenson	Will	GBR	2:26.744	409.88
6	115	Muller	Michael	AUS	2:26.698	403.36
7	116	Naude	Russel	RSA	2:27.540	397.22
8	101	Manso	Thomas	ESP	2:31.265	391.40
9	56	Frischauf	Alexander	AUT	2:29.515	385.84
10	94	Lang	Joachim	GER	2:30.249	380.52
11	42	De Wit	Edgar	NED	2:30.540	375.41
12	134	Schmit	Helene	FRA	2:32.324	370.49
13	164	Lang	Matthias	GER	2:29.563	365.74
14	144	Stocker	Len	GBR	2:30.746	361.13
15	32	Bewley	Ben	GBR	2:33.326	356.66

International Gravity Sports Association

Event: Insul Cup
Location: Insul, Germany
Date: July 30, 2011
Event Level: World Cup
Weather: Overcast

Promoter: Lutz Wagenhauser
Chief Steward: Norman Kinnish
Starter: Marcus Rietema
Track Conditions: Dry
Course Length: 2.1 km (1.3mi)

Street Luge Continued Results

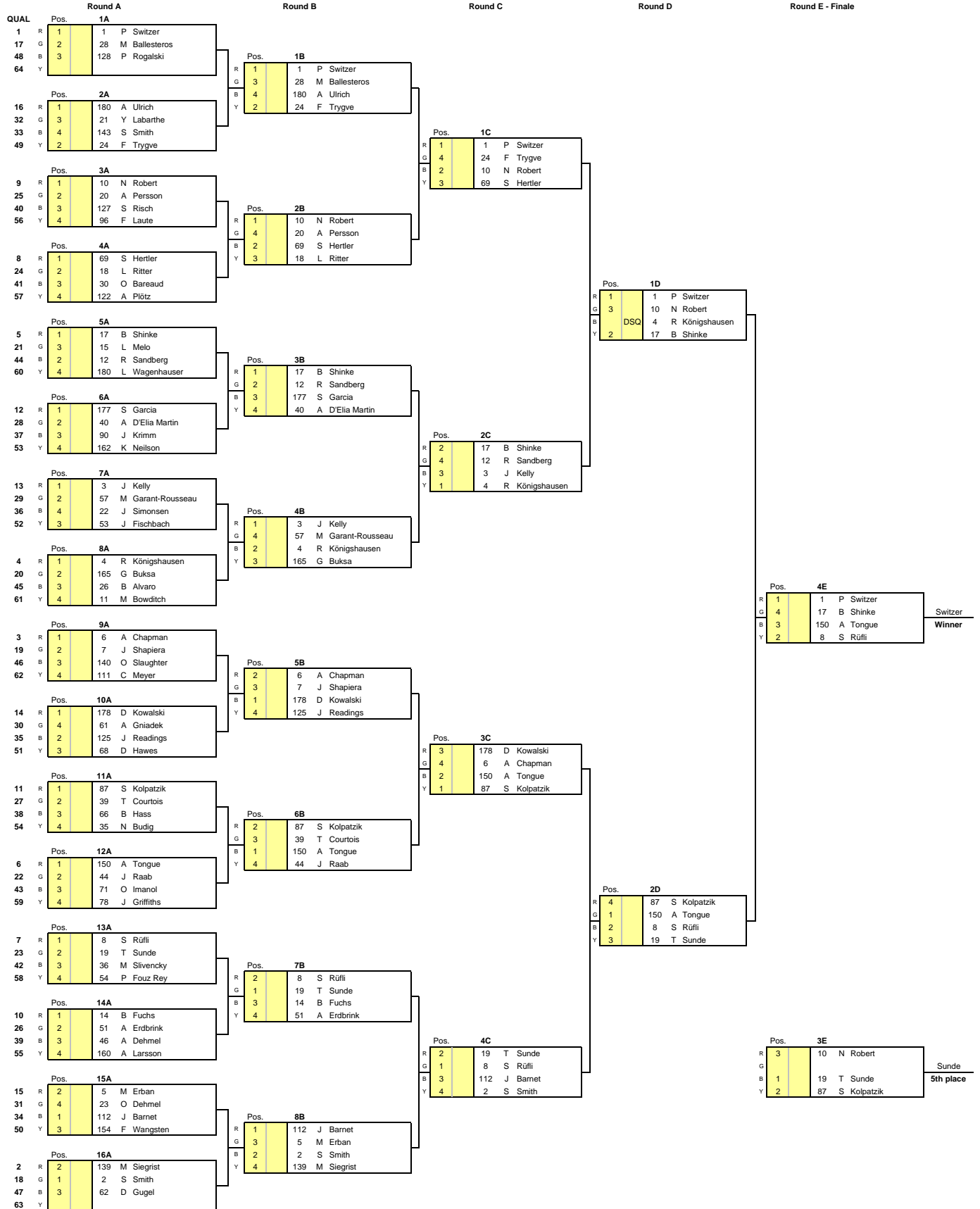
Pos	No	Surname	First Name	Nat	Best	Points
16	118	Obergfell	Philipp	GER	2:40.085	352.32
17	108	Mckirdy	Nic	AUS	2:33.330	348.10
18	79	Alcade	Jorge	ESP	2:34.589	343.98
19	157	Witzigmann	Martin	GER	2:35.997	339.96
20	130	Rulleau	Philippe	FRA	2:36.640	336.03
21	107	Mcbride	Chris	USA	2:37.155	332.19
22	75	Jensen	Mikael (kula)	NOR	2:41.320	328.43
23	37	Cheeseman	George	GBR	2:41.662	324.75
24	31	Berdon (F)	Frederique	FRA	2:42.491	321.14
25	138	Serek Dr.	Michael	AUT	2:26.029	317.59

International Gravity Sports Association

Event: Insul Cup
Location: Insul, Germany
Date: July 30, 2011
Event Level: World Cup
Weather: Overcast

Promoter: Lutz Wagenhauser
Chief Steward: Norman Kinnish
Starter: Marcus Rietema
Track Conditions: Dry
Course Length: 2.1 km (1.3mi)

Downhill Skateboard



International Gravity Sports Association

Event: Insul Cup
Location: Insul, Germany
Date: July 30, 2011
Event Level: World Cup
Weather: Overcast

Promoter: Lutz Wagenhauser
Chief Steward: Norman Kinnish
Starter: Marcus Rietema
Track Conditions: Dry
Course Length: 2.1 km (1.3mi)

Women Downhill Skateboard

Round A				Round B - Finale																																			
QUAL	Pos	1A		Pos	2B																																		
1	R	1	162 K Neilson	R	1	162 K Neilson	Neilson Winner																																
3	G	2	41 D Kornieko	G	3	41 D Kornieko																																	
6	B	3	123 T Prader	B	4	58 R Gemperle																																	
8	Y	4	91 G Kupsch	Y	2	50 K Engstrand																																	
<table border="1"> <thead> <tr> <th>Pos</th> <th colspan="2">2A</th> </tr> </thead> <tbody> <tr> <td>2</td> <td>R</td> <td>58 R Gemperle</td> </tr> <tr> <td>4</td> <td>G</td> <td>102 M Bougourd</td> </tr> <tr> <td>5</td> <td>B</td> <td>50 K Engstrand</td> </tr> <tr> <td>7</td> <td>Y</td> <td>72 H Jaakola</td> </tr> </tbody> </table>				Pos	2A		2	R	58 R Gemperle	4	G	102 M Bougourd	5	B	50 K Engstrand	7	Y	72 H Jaakola	<table border="1"> <thead> <tr> <th>Pos</th> <th colspan="2">1B</th> </tr> </thead> <tbody> <tr> <td>3</td> <td>R</td> <td>123 T Prader</td> </tr> <tr> <td>4</td> <td>G</td> <td>91 G Kupsch</td> </tr> <tr> <td>1</td> <td>B</td> <td>102 M Bougourd</td> </tr> <tr> <td>2</td> <td>Y</td> <td>72 H Jaakola</td> </tr> </tbody> </table>				Pos	1B		3	R	123 T Prader	4	G	91 G Kupsch	1	B	102 M Bougourd	2	Y	72 H Jaakola	Bougourd 5th place	
Pos	2A																																						
2	R	58 R Gemperle																																					
4	G	102 M Bougourd																																					
5	B	50 K Engstrand																																					
7	Y	72 H Jaakola																																					
Pos	1B																																						
3	R	123 T Prader																																					
4	G	91 G Kupsch																																					
1	B	102 M Bougourd																																					
2	Y	72 H Jaakola																																					
<table border="1"> <thead> <tr> <th>Pos</th> <th colspan="2">2A</th> </tr> </thead> <tbody> <tr> <td>2</td> <td>R</td> <td>43 J Dederer</td> </tr> <tr> <td>4</td> <td>G</td> <td>82 G Kalb</td> </tr> <tr> <td>5</td> <td>B</td> <td></td> </tr> <tr> <td>7</td> <td>Y</td> <td></td> </tr> </tbody> </table>				Pos	2A		2	R	43 J Dederer	4	G	82 G Kalb	5	B		7	Y		<table border="1"> <thead> <tr> <th>Pos</th> <th colspan="2">2B</th> </tr> </thead> <tbody> <tr> <td>1</td> <td>R</td> <td>59 L Gires</td> </tr> <tr> <td>3</td> <td>G</td> <td>133 P Schickor</td> </tr> <tr> <td>2</td> <td>B</td> <td>43 J Dederer</td> </tr> <tr> <td>4</td> <td>Y</td> <td>82 G Kalb</td> </tr> </tbody> </table>				Pos	2B		1	R	59 L Gires	3	G	133 P Schickor	2	B	43 J Dederer	4	Y	82 G Kalb	Gires Winner	
Pos	2A																																						
2	R	43 J Dederer																																					
4	G	82 G Kalb																																					
5	B																																						
7	Y																																						
Pos	2B																																						
1	R	59 L Gires																																					
3	G	133 P Schickor																																					
2	B	43 J Dederer																																					
4	Y	82 G Kalb																																					
<table border="1"> <thead> <tr> <th>Pos</th> <th colspan="2">1A</th> </tr> </thead> <tbody> <tr> <td>1</td> <td>R</td> <td>59 L Gires</td> </tr> <tr> <td>3</td> <td>G</td> <td>133 P Schickor</td> </tr> <tr> <td>6</td> <td>B</td> <td></td> </tr> <tr> <td>8</td> <td>Y</td> <td></td> </tr> </tbody> </table>				Pos	1A		1	R	59 L Gires	3	G	133 P Schickor	6	B		8	Y		<table border="1"> <thead> <tr> <th>Pos</th> <th colspan="2">2B</th> </tr> </thead> <tbody> <tr> <td>1</td> <td>R</td> <td>59 L Gires</td> </tr> <tr> <td>3</td> <td>G</td> <td>133 P Schickor</td> </tr> <tr> <td>2</td> <td>B</td> <td>43 J Dederer</td> </tr> <tr> <td>4</td> <td>Y</td> <td>82 G Kalb</td> </tr> </tbody> </table>				Pos	2B		1	R	59 L Gires	3	G	133 P Schickor	2	B	43 J Dederer	4	Y	82 G Kalb	Gires Winner	
Pos	1A																																						
1	R	59 L Gires																																					
3	G	133 P Schickor																																					
6	B																																						
8	Y																																						
Pos	2B																																						
1	R	59 L Gires																																					
3	G	133 P Schickor																																					
2	B	43 J Dederer																																					
4	Y	82 G Kalb																																					
<table border="1"> <thead> <tr> <th>Pos</th> <th colspan="2">1A</th> </tr> </thead> <tbody> <tr> <td>1</td> <td>R</td> <td>143 S Smith</td> </tr> <tr> <td>3</td> <td>G</td> <td>54 P Fouz Rey</td> </tr> <tr> <td>6</td> <td>B</td> <td>110 M Meurling</td> </tr> <tr> <td>8</td> <td>Y</td> <td>158 P Zerweck</td> </tr> </tbody> </table>				Pos	1A		1	R	143 S Smith	3	G	54 P Fouz Rey	6	B	110 M Meurling	8	Y	158 P Zerweck	<table border="1"> <thead> <tr> <th>Pos</th> <th colspan="2">2B</th> </tr> </thead> <tbody> <tr> <td>1</td> <td>R</td> <td>143 S Smith</td> </tr> <tr> <td>3</td> <td>G</td> <td>54 P Fouz Rey</td> </tr> <tr> <td>2</td> <td>B</td> <td>154 F Wangsten</td> </tr> <tr> <td>4</td> <td>Y</td> <td>119 O Froelund</td> </tr> </tbody> </table>				Pos	2B		1	R	143 S Smith	3	G	54 P Fouz Rey	2	B	154 F Wangsten	4	Y	119 O Froelund	Smith Winner	
Pos	1A																																						
1	R	143 S Smith																																					
3	G	54 P Fouz Rey																																					
6	B	110 M Meurling																																					
8	Y	158 P Zerweck																																					
Pos	2B																																						
1	R	143 S Smith																																					
3	G	54 P Fouz Rey																																					
2	B	154 F Wangsten																																					
4	Y	119 O Froelund																																					
<table border="1"> <thead> <tr> <th>Pos</th> <th colspan="2">2A</th> </tr> </thead> <tbody> <tr> <td>2</td> <td>R</td> <td>154 F Wangsten</td> </tr> <tr> <td>4</td> <td>G</td> <td>119 O Froelund</td> </tr> <tr> <td>5</td> <td>B</td> <td>136 M Schulte</td> </tr> <tr> <td>7</td> <td>Y</td> <td>34 R Borek</td> </tr> </tbody> </table>				Pos	2A		2	R	154 F Wangsten	4	G	119 O Froelund	5	B	136 M Schulte	7	Y	34 R Borek	<table border="1"> <thead> <tr> <th>Pos</th> <th colspan="2">1B</th> </tr> </thead> <tbody> <tr> <td>4</td> <td>R</td> <td>dns 158 P Zerweck</td> </tr> <tr> <td>2</td> <td>G</td> <td>110 M Meurling</td> </tr> <tr> <td>1</td> <td>B</td> <td>34 R Borek</td> </tr> <tr> <td>3</td> <td>Y</td> <td>136 M Schulte</td> </tr> </tbody> </table>				Pos	1B		4	R	dns 158 P Zerweck	2	G	110 M Meurling	1	B	34 R Borek	3	Y	136 M Schulte	Borek 5th place	
Pos	2A																																						
2	R	154 F Wangsten																																					
4	G	119 O Froelund																																					
5	B	136 M Schulte																																					
7	Y	34 R Borek																																					
Pos	1B																																						
4	R	dns 158 P Zerweck																																					
2	G	110 M Meurling																																					
1	B	34 R Borek																																					
3	Y	136 M Schulte																																					

Junior I Downhill Skateboard

Round A				Round B - Finale																																			
QUAL	Pos	1A		Pos	2B																																		
1	R	1	59 L Gires	R	1	59 L Gires	Gires Winner																																
3	G	2	133 P Schickor	G	3	133 P Schickor																																	
6	B			B	2	43 J Dederer																																	
8	Y			Y	4	82 G Kalb																																	
<table border="1"> <thead> <tr> <th>Pos</th> <th colspan="2">2A</th> </tr> </thead> <tbody> <tr> <td>2</td> <td>R</td> <td>43 J Dederer</td> </tr> <tr> <td>4</td> <td>G</td> <td>82 G Kalb</td> </tr> <tr> <td>5</td> <td>B</td> <td></td> </tr> <tr> <td>7</td> <td>Y</td> <td></td> </tr> </tbody> </table>				Pos	2A		2	R	43 J Dederer	4	G	82 G Kalb	5	B		7	Y		<table border="1"> <thead> <tr> <th>Pos</th> <th colspan="2">2B</th> </tr> </thead> <tbody> <tr> <td>1</td> <td>R</td> <td>59 L Gires</td> </tr> <tr> <td>3</td> <td>G</td> <td>133 P Schickor</td> </tr> <tr> <td>2</td> <td>B</td> <td>43 J Dederer</td> </tr> <tr> <td>4</td> <td>Y</td> <td>82 G Kalb</td> </tr> </tbody> </table>				Pos	2B		1	R	59 L Gires	3	G	133 P Schickor	2	B	43 J Dederer	4	Y	82 G Kalb	Gires Winner	
Pos	2A																																						
2	R	43 J Dederer																																					
4	G	82 G Kalb																																					
5	B																																						
7	Y																																						
Pos	2B																																						
1	R	59 L Gires																																					
3	G	133 P Schickor																																					
2	B	43 J Dederer																																					
4	Y	82 G Kalb																																					

Junior II Downhill Skateboard

Round A				Round B - Finale																																			
QUAL	Pos	1A		Pos	2B																																		
1	R	1	143 S Smith	R	1	143 S Smith	Smith Winner																																
3	G	2	54 P Fouz Rey	G	3	54 P Fouz Rey																																	
6	B	4	110 M Meurling	B	2	154 F Wangsten																																	
8	Y	3	158 P Zerweck	Y	4	119 O Froelund																																	
<table border="1"> <thead> <tr> <th>Pos</th> <th colspan="2">2A</th> </tr> </thead> <tbody> <tr> <td>2</td> <td>R</td> <td>154 F Wangsten</td> </tr> <tr> <td>4</td> <td>G</td> <td>119 O Froelund</td> </tr> <tr> <td>5</td> <td>B</td> <td>136 M Schulte</td> </tr> <tr> <td>7</td> <td>Y</td> <td>34 R Borek</td> </tr> </tbody> </table>				Pos	2A		2	R	154 F Wangsten	4	G	119 O Froelund	5	B	136 M Schulte	7	Y	34 R Borek	<table border="1"> <thead> <tr> <th>Pos</th> <th colspan="2">1B</th> </tr> </thead> <tbody> <tr> <td>4</td> <td>R</td> <td>dns 158 P Zerweck</td> </tr> <tr> <td>2</td> <td>G</td> <td>110 M Meurling</td> </tr> <tr> <td>1</td> <td>B</td> <td>34 R Borek</td> </tr> <tr> <td>3</td> <td>Y</td> <td>136 M Schulte</td> </tr> </tbody> </table>				Pos	1B		4	R	dns 158 P Zerweck	2	G	110 M Meurling	1	B	34 R Borek	3	Y	136 M Schulte	Borek 5th place	
Pos	2A																																						
2	R	154 F Wangsten																																					
4	G	119 O Froelund																																					
5	B	136 M Schulte																																					
7	Y	34 R Borek																																					
Pos	1B																																						
4	R	dns 158 P Zerweck																																					
2	G	110 M Meurling																																					
1	B	34 R Borek																																					
3	Y	136 M Schulte																																					

Classic Luge

Round A				Round B				Round C				Round D - Finale																																																																	
QUAL	Pos	1A		Pos	1B			Pos	1C			Pos	4D																																																																
1	R	1	138 M Serek	R	1	138 M Serek	Serek Winner	R	1	138 M Serek	Serek Winner	R	1	138 M Serek	Serek Winner																																																														
9	G	2	49 P Eliot	G	2	49 P Eliot		G	4	49 P Eliot		G	4	94 J Lang																																																															
24	B			B	3	56 A Frischauf		B	3	134 H Schmit		B	3	21 Y Labarthe																																																															
32	Y			Y	4	79 J Alcade		Y	2	94 J Lang		Y	2	47 M Echegaray Diez																																																															
<table border="1"> <thead> <tr> <th>Pos</th> <th colspan="2">2A</th> </tr> </thead> <tbody> <tr> <td>8</td> <td>R</td> <td>56 A Frischauf</td> </tr> <tr> <td>16</td> <td>G</td> <td>79 J Alcade</td> </tr> <tr> <td>17</td> <td>B</td> <td>155 W Stephenson</td> </tr> <tr> <td>25</td> <td>Y</td> <td>dns</td> </tr> </tbody> </table>				Pos	2A		8	R	56 A Frischauf	16	G	79 J Alcade	17	B	155 W Stephenson	25	Y	dns	<table border="1"> <thead> <tr> <th>Pos</th> <th colspan="2">2B</th> </tr> </thead> <tbody> <tr> <td>1</td> <td>R</td> <td>134 H Schmit</td> </tr> <tr> <td>3</td> <td>G</td> <td>151 S Torstensson</td> </tr> <tr> <td>2</td> <td>B</td> <td>94 J Lang</td> </tr> <tr> <td>4</td> <td>Y</td> <td>105 L Martinsen</td> </tr> </tbody> </table>				Pos	2B		1	R	134 H Schmit	3	G	151 S Torstensson	2	B	94 J Lang	4	Y	105 L Martinsen	<table border="1"> <thead> <tr> <th>Pos</th> <th colspan="2">2C</th> </tr> </thead> <tbody> <tr> <td>1</td> <td>R</td> <td>21 Y Labarthe</td> </tr> <tr> <td>4</td> <td>G</td> <td>86 G Klotzberg</td> </tr> <tr> <td>2</td> <td>B</td> <td>47 M Echegaray Diez</td> </tr> <tr> <td>3</td> <td>Y</td> <td>116 R Naude</td> </tr> </tbody> </table>				Pos	2C		1	R	21 Y Labarthe	4	G	86 G Klotzberg	2	B	47 M Echegaray Diez	3	Y	116 R Naude	<table border="1"> <thead> <tr> <th>Pos</th> <th colspan="2">3D</th> </tr> </thead> <tbody> <tr> <td>2</td> <td>R</td> <td>134 H Schmit</td> </tr> <tr> <td>4</td> <td>G</td> <td>49 P Eliot</td> </tr> <tr> <td>1</td> <td>B</td> <td>116 R Naude</td> </tr> <tr> <td>3</td> <td>Y</td> <td>86 G Klotzberg</td> </tr> </tbody> </table>				Pos	3D		2	R	134 H Schmit	4	G	49 P Eliot	1	B	116 R Naude	3	Y	86 G Klotzberg	Naude 5th place	
Pos	2A																																																																												
8	R	56 A Frischauf																																																																											
16	G	79 J Alcade																																																																											
17	B	155 W Stephenson																																																																											
25	Y	dns																																																																											
Pos	2B																																																																												
1	R	134 H Schmit																																																																											
3	G	151 S Torstensson																																																																											
2	B	94 J Lang																																																																											
4	Y	105 L Martinsen																																																																											
Pos	2C																																																																												
1	R	21 Y Labarthe																																																																											
4	G	86 G Klotzberg																																																																											
2	B	47 M Echegaray Diez																																																																											
3	Y	116 R Naude																																																																											
Pos	3D																																																																												
2	R	134 H Schmit																																																																											
4	G	49 P Eliot																																																																											
1	B	116 R Naude																																																																											
3	Y	86 G Klotzberg																																																																											
<table border="1"> <thead> <tr> <th>Pos</th> <th colspan="2">3A</th> </tr> </thead> <tbody> <tr> <td>5</td> <td>R</td> <td>134 H Schmit</td> </tr> <tr> <td>13</td> <td>G</td> <td>151 S Torstensson</td> </tr> <tr> <td>20</td> <td>B</td> <td>32 B Bewley</td> </tr> <tr> <td>28</td> <td>Y</td> <td>3</td> </tr> </tbody> </table>				Pos	3A		5	R	134 H Schmit	13	G	151 S Torstensson	20	B	32 B Bewley	28	Y	3	<table border="1"> <thead> <tr> <th>Pos</th> <th colspan="2">3B</th> </tr> </thead> <tbody> <tr> <td>1</td> <td>R</td> <td>21 Y Labarthe</td> </tr> <tr> <td>3</td> <td>G</td> <td>108 N Mckirdy</td> </tr> <tr> <td>2</td> <td>B</td> <td>86 G Klotzberg</td> </tr> <tr> <td>4</td> <td>Y</td> <td>dnf 83 G Kalb</td> </tr> </tbody> </table>				Pos	3B		1	R	21 Y Labarthe	3	G	108 N Mckirdy	2	B	86 G Klotzberg	4	Y	dnf 83 G Kalb	<table border="1"> <thead> <tr> <th>Pos</th> <th colspan="2">3C</th> </tr> </thead> <tbody> <tr> <td>1</td> <td>R</td> <td>21 Y Labarthe</td> </tr> <tr> <td>4</td> <td>G</td> <td>86 G Klotzberg</td> </tr> <tr> <td>2</td> <td>B</td> <td>47 M Echegaray Diez</td> </tr> <tr> <td>3</td> <td>Y</td> <td>116 R Naude</td> </tr> </tbody> </table>				Pos	3C		1	R	21 Y Labarthe	4	G	86 G Klotzberg	2	B	47 M Echegaray Diez	3	Y	116 R Naude	<table border="1"> <thead> <tr> <th>Pos</th> <th colspan="2">3D</th> </tr> </thead> <tbody> <tr> <td>2</td> <td>R</td> <td>134 H Schmit</td> </tr> <tr> <td>4</td> <td>G</td> <td>49 P Eliot</td> </tr> <tr> <td>1</td> <td>B</td> <td>116 R Naude</td> </tr> <tr> <td>3</td> <td>Y</td> <td>86 G Klotzberg</td> </tr> </tbody> </table>				Pos	3D		2	R	134 H Schmit	4	G	49 P Eliot	1	B	116 R Naude	3	Y	86 G Klotzberg	Naude 5th place	
Pos	3A																																																																												
5	R	134 H Schmit																																																																											
13	G	151 S Torstensson																																																																											
20	B	32 B Bewley																																																																											
28	Y	3																																																																											
Pos	3B																																																																												
1	R	21 Y Labarthe																																																																											
3	G	108 N Mckirdy																																																																											
2	B	86 G Klotzberg																																																																											
4	Y	dnf 83 G Kalb																																																																											
Pos	3C																																																																												
1	R	21 Y Labarthe																																																																											
4	G	86 G Klotzberg																																																																											
2	B	47 M Echegaray Diez																																																																											
3	Y	116 R Naude																																																																											
Pos	3D																																																																												
2	R	134 H Schmit																																																																											
4	G	49 P Eliot																																																																											
1	B	116 R Naude																																																																											
3	Y	86 G Klotzberg																																																																											
<table border="1"> <thead> <tr> <th>Pos</th> <th colspan="2">4A</th> </tr> </thead> <tbody> <tr> <td>4</td> <td>R</td> <td>94 J Lang</td> </tr> <tr> <td>12</td> <td>G</td> <td>105 L Martinsen</td> </tr> <tr> <td>21</td> <td>B</td> <td>31 F Berdon</td> </tr> <tr> <td>29</td> <td>Y</td> <td></td> </tr> </tbody> </table>				Pos	4A		4	R	94 J Lang	12	G	105 L Martinsen	21	B	31 F Berdon	29	Y		<table border="1"> <thead> <tr> <th>Pos</th> <th colspan="2">4B</th> </tr> </thead> <tbody> <tr> <td>1</td> <td>R</td> <td>116 R Naude</td> </tr> <tr> <td>4</td> <td>G</td> <td>107 C McBride</td> </tr> <tr> <td>1</td> <td>B</td> <td>47 M Echegaray Diez</td> </tr> <tr> <td>3</td> <td>Y</td> <td>114 T Morgando</td> </tr> </tbody> </table>				Pos	4B		1	R	116 R Naude	4	G	107 C McBride	1	B	47 M Echegaray Diez	3	Y	114 T Morgando	<table border="1"> <thead> <tr> <th>Pos</th> <th colspan="2">4C</th> </tr> </thead> <tbody> <tr> <td>1</td> <td>R</td> <td>21 Y Labarthe</td> </tr> <tr> <td>4</td> <td>G</td> <td>86 G Klotzberg</td> </tr> <tr> <td>2</td> <td>B</td> <td>47 M Echegaray Diez</td> </tr> <tr> <td>3</td> <td>Y</td> <td>116 R Naude</td> </tr> </tbody> </table>				Pos	4C		1	R	21 Y Labarthe	4	G	86 G Klotzberg	2	B	47 M Echegaray Diez	3	Y	116 R Naude	<table border="1"> <thead> <tr> <th>Pos</th> <th colspan="2">4D</th> </tr> </thead> <tbody> <tr> <td>1</td> <td>R</td> <td>138 M Serek</td> </tr> <tr> <td>4</td> <td>G</td> <td>94 J Lang</td> </tr> <tr> <td>3</td> <td>B</td> <td>21 Y Labarthe</td> </tr> <tr> <td>2</td> <td>Y</td> <td>47 M Echegaray Diez</td> </tr> </tbody> </table>				Pos	4D		1	R	138 M Serek	4	G	94 J Lang	3	B	21 Y Labarthe	2	Y	47 M Echegaray Diez	Serek Winner	
Pos	4A																																																																												
4	R	94 J Lang																																																																											
12	G	105 L Martinsen																																																																											
21	B	31 F Berdon																																																																											
29	Y																																																																												
Pos	4B																																																																												
1	R	116 R Naude																																																																											
4	G	107 C McBride																																																																											
1	B	47 M Echegaray Diez																																																																											
3	Y	114 T Morgando																																																																											
Pos	4C																																																																												
1	R	21 Y Labarthe																																																																											
4	G	86 G Klotzberg																																																																											
2	B	47 M Echegaray Diez																																																																											
3	Y	116 R Naude																																																																											
Pos	4D																																																																												
1	R	138 M Serek																																																																											
4	G	94 J Lang																																																																											
3	B	21 Y Labarthe																																																																											
2	Y	47 M Echegaray Diez																																																																											
<table border="1"> <thead> <tr> <th>Pos</th> <th colspan="2">5A</th> </tr> </thead> <tbody> <tr> <td>3</td> <td>R</td> <td>21 Y Labarthe</td> </tr> <tr> <td>11</td> <td>G</td> <td>108 N Mckirdy</td> </tr> <tr> <td>22</td> <td>B</td> <td>36 P Champion</td> </tr> <tr> <td>30</td> <td>Y</td> <td>dns</td> </tr> </tbody> </table>				Pos	5A		3	R	21 Y Labarthe	11	G	108 N Mckirdy	22	B	36 P Champion	30	Y	dns	<table border="1"> <thead> <tr> <th>Pos</th> <th colspan="2">5B</th> </tr> </thead> <tbody> <tr> <td>1</td> <td>R</td> <td>21 Y Labarthe</td> </tr> <tr> <td>3</td> <td>G</td> <td>108 N Mckirdy</td> </tr> <tr> <td>2</td> <td>B</td> <td>86 G Klotzberg</td> </tr> <tr> <td>4</td> <td>Y</td> <td>dnf 83 G Kalb</td> </tr> </tbody> </table>				Pos	5B		1	R	21 Y Labarthe	3	G	108 N Mckirdy	2	B	86 G Klotzberg	4	Y	dnf 83 G Kalb	<table border="1"> <thead> <tr> <th>Pos</th> <th colspan="2">5C</th> </tr> </thead> <tbody> <tr> <td>1</td> <td>R</td> <td>21 Y Labarthe</td> </tr> <tr> <td>4</td> <td>G</td> <td>86 G Klotzberg</td> </tr> <tr> <td>2</td> <td>B</td> <td>47 M Echegaray Diez</td> </tr> <tr> <td>3</td> <td>Y</td> <td>116 R Naude</td> </tr> </tbody> </table>				Pos	5C		1	R	21 Y Labarthe	4	G	86 G Klotzberg	2	B	47 M Echegaray Diez	3	Y	116 R Naude	<table border="1"> <thead> <tr> <th>Pos</th> <th colspan="2">5D</th> </tr> </thead> <tbody> <tr> <td>1</td> <td>R</td> <td>138 M Serek</td> </tr> <tr> <td>4</td> <td>G</td> <td>94 J Lang</td> </tr> <tr> <td>3</td> <td>B</td> <td>21 Y Labarthe</td> </tr> <tr> <td>2</td> <td>Y</td> <td>47 M Echegaray Diez</td> </tr> </tbody> </table>				Pos	5D		1	R	138 M Serek	4	G	94 J Lang	3	B	21 Y Labarthe	2	Y	47 M Echegaray Diez	Serek Winner	
Pos	5A																																																																												
3	R	21 Y Labarthe																																																																											
11	G	108 N Mckirdy																																																																											
22	B	36 P Champion																																																																											
30	Y	dns																																																																											
Pos	5B																																																																												
1	R	21 Y Labarthe																																																																											
3	G	108 N Mckirdy																																																																											
2	B	86 G Klotzberg																																																																											
4	Y	dnf 83 G Kalb																																																																											
Pos	5C																																																																												
1	R	21 Y Labarthe																																																																											
4	G	86 G Klotzberg																																																																											
2	B	47 M Echegaray Diez																																																																											
3	Y	116 R Naude																																																																											
Pos	5D																																																																												
1	R	138 M Serek																																																																											
4	G	94 J Lang																																																																											
3	B	21 Y Labarthe																																																																											
2	Y	47 M Echegaray Diez																																																																											
<table border="1"> <thead> <tr> <th>Pos</th> <th colspan="2">6A</th> </tr> </thead> <tbody> <tr> <td>6</td> <td>R</td> <td>86 G Klotzberg</td> </tr> <tr> <td>14</td> <td>G</td> <td>83 G Kalb</td> </tr> <tr> <td>19</td> <td>B</td> <td>130 P Rulleau</td> </tr> <tr> <td>27</td> <td>Y</td> <td></td> </tr> </tbody> </table>				Pos	6A		6	R	86 G Klotzberg	14	G	83 G Kalb	19	B	130 P Rulleau	27	Y		<table border="1"> <thead> <tr> <th>Pos</th> <th colspan="2">6B</th> </tr> </thead> <tbody> <tr> <td>1</td> <td>R</td> <td>21 Y Labarthe</td> </tr> <tr> <td>3</td> <td>G</td> <td>108 N Mckirdy</td> </tr> <tr> <td>2</td> <td>B</td> <td>86 G Klotzberg</td> </tr> <tr> <td>4</td> <td>Y</td> <td>dnf 83 G Kalb</td> </tr> </tbody> </table>				Pos	6B		1	R	21 Y Labarthe	3	G	108 N Mckirdy	2	B	86 G Klotzberg	4	Y	dnf 83 G Kalb	<table border="1"> <thead> <tr> <th>Pos</th> <th colspan="2">6C</th> </tr> </thead> <tbody> <tr> <td>1</td> <td>R</td> <td>21 Y Labarthe</td> </tr> <tr> <td>4</td> <td>G</td> <td>86 G Klotzberg</td> </tr> <tr> <td>2</td> <td>B</td> <td>47 M Echegaray Diez</td> </tr> <tr> <td>3</td> <td>Y</td> <td>116 R Naude</td> </tr> </tbody> </table>				Pos	6C		1	R	21 Y Labarthe	4	G	86 G Klotzberg	2	B	47 M Echegaray Diez	3	Y	116 R Naude	<table border="1"> <thead> <tr> <th>Pos</th> <th colspan="2">6D</th> </tr> </thead> <tbody> <tr> <td>1</td> <td>R</td> <td>138 M Serek</td> </tr> <tr> <td>4</td> <td>G</td> <td>94 J Lang</td> </tr> <tr> <td>3</td> <td>B</td> <td>21 Y Labarthe</td> </tr> <tr> <td>2</td> <td>Y</td> <td>47 M Echegaray Diez</td> </tr> </tbody> </table>				Pos	6D		1	R	138 M Serek	4	G	94 J Lang	3	B	21 Y Labarthe	2	Y	47 M Echegaray Diez	Serek Winner	
Pos	6A																																																																												
6	R	86 G Klotzberg																																																																											
14	G	83 G Kalb																																																																											
19	B	130 P Rulleau																																																																											
27	Y																																																																												
Pos	6B																																																																												
1	R	21 Y Labarthe																																																																											
3	G	108 N Mckirdy																																																																											
2	B	86 G Klotzberg																																																																											
4	Y	dnf 83 G Kalb																																																																											
Pos	6C																																																																												
1	R	21 Y Labarthe																																																																											
4	G	86 G Klotzberg																																																																											
2	B	47 M Echegaray Diez																																																																											
3	Y	116 R Naude																																																																											
Pos	6D																																																																												
1	R	138 M Serek																																																																											
4	G	94 J Lang																																																																											
3	B	21 Y Labarthe																																																																											
2	Y	47 M Echegaray Diez																																																																											
<table border="1"> <thead> <tr> <th>Pos</th> <th colspan="2">7A</th> </tr> </thead> <tbody> <tr> <td>7</td> <td>R</td> <td>116 R Naude</td> </tr> <tr> <td>15</td> <td>G</td> <td>107 C McBride</td> </tr> <tr> <td>18</td> <td>B</td> <td>82 G Kalb</td> </tr> <tr> <td>26</td> <td>Y</td> <td></td> </tr> </tbody> </table>				Pos	7A		7	R	116 R Naude	15	G	107 C McBride	18	B	82 G Kalb	26	Y		<table border="1"> <thead> <tr> <th>Pos</th> <th colspan="2">7B</th> </tr> </thead> <tbody> <tr> <td>1</td> <td>R</td> <td>116 R Naude</td> </tr> <tr> <td>4</td> <td>G</td> <td>107 C McBride</td> </tr> <tr> <td>1</td> <td>B</td> <td>47 M Echegaray Diez</td> </tr> <tr> <td>3</td> <td>Y</td> <td>114 T Morgando</td> </tr> </tbody> </table>				Pos	7B		1	R	116 R Naude	4	G	107 C McBride	1	B	47 M Echegaray Diez	3	Y	114 T Morgando	<table border="1"> <thead> <tr> <th>Pos</th> <th colspan="2">7C</th> </tr> </thead> <tbody> <tr> <td>1</td> <td>R</td> <td>21 Y Labarthe</td> </tr> <tr> <td>4</td> <td>G</td> <td>86 G Klotzberg</td> </tr> <tr> <td>2</td> <td>B</td> <td>47 M Echegaray Diez</td> </tr> <tr> <td>3</td> <td>Y</td> <td>116 R Naude</td> </tr> </tbody> </table>				Pos	7C		1	R	21 Y Labarthe	4	G	86 G Klotzberg	2	B	47 M Echegaray Diez	3	Y	116 R Naude	<table border="1"> <thead> <tr> <th>Pos</th> <th colspan="2">7D</th> </tr> </thead> <tbody> <tr> <td>1</td> <td>R</td> <td>138 M Serek</td> </tr> <tr> <td>4</td> <td>G</td> <td>94 J Lang</td> </tr> <tr> <td>3</td> <td>B</td> <td>21 Y Labarthe</td> </tr> <tr> <td>2</td> <td>Y</td> <td>47 M Echegaray Diez</td> </tr> </tbody> </table>				Pos	7D		1	R	138 M Serek	4	G	94 J Lang	3	B	21 Y Labarthe	2	Y	47 M Echegaray Diez	Serek Winner	
Pos	7A																																																																												
7	R	116 R Naude																																																																											
15	G	107 C McBride																																																																											
18	B	82 G Kalb																																																																											
26	Y																																																																												
Pos	7B																																																																												
1	R	116 R Naude																																																																											
4	G	107 C McBride																																																																											
1	B	47 M Echegaray Diez																																																																											
3	Y	114 T Morgando																																																																											
Pos	7C																																																																												
1	R	21 Y Labarthe																																																																											
4	G	86 G Klotzberg																																																																											
2	B	47 M Echegaray Diez																																																																											
3	Y	116 R Naude																																																																											
Pos	7D																																																																												
1	R	138 M Serek																																																																											
4	G	94 J Lang																																																																											
3	B	21 Y Labarthe																																																																											
2	Y	47 M Echegaray Diez																																																																											
<table border="1"> <thead> <tr> <th>Pos</th> <th colspan="2">8A</th> </tr> </thead> <tbody> <tr> <td>2</td> <td>R</td> <td>47 M Echegaray Diez</td> </tr> <tr> <td>10</td> <td>G</td> <td>114 T Morgando</td> </tr> <tr> <td>23</td> <td>B</td> <td></td> </tr> <tr> <td>31</td> <td>Y</td> <td></td> </tr> </tbody> </table>				Pos	8A		2	R	47 M Echegaray Diez	10	G	114 T Morgando	23	B		31	Y		<table border="1"> <thead> <tr> <th>Pos</th> <th colspan="2">8B</th> </tr> </thead> <tbody> <tr> <td>1</td> <td>R</td> <td>116 R Naude</td> </tr> <tr> <td>4</td> <td>G</td> <td>107 C McBride</td> </tr> <tr> <td>1</td> <td>B</td> <td>47 M Echegaray Diez</td> </tr> <tr> <td>3</td> <td>Y</td> <td>114 T Morgando</td> </tr> </tbody> </table>				Pos	8B		1	R	116 R Naude	4	G	107 C McBride	1	B	47 M Echegaray Diez	3	Y	114 T Morgando	<table border="1"> <thead> <tr> <th>Pos</th> <th colspan="2">8C</th> </tr> </thead> <tbody> <tr> <td>1</td> <td>R</td> <td>21 Y Labarthe</td> </tr> <tr> <td>4</td> <td>G</td> <td>86 G Klotzberg</td> </tr> <tr> <td>2</td> <td>B</td> <td>47 M Echegaray Diez</td> </tr> <tr> <td>3</td> <td>Y</td> <td>116 R Naude</td> </tr> </tbody> </table>				Pos	8C		1	R	21 Y Labarthe	4	G	86 G Klotzberg	2	B	47 M Echegaray Diez	3	Y	116 R Naude	<table border="1"> <thead> <tr> <th>Pos</th> <th colspan="2">8D</th> </tr> </thead> <tbody> <tr> <td>1</td> <td>R</td> <td>138 M Serek</td> </tr> <tr> <td>4</td> <td>G</td> <td>94 J Lang</td> </tr> <tr> <td>3</td> <td>B</td> <td>21 Y Labarthe</td> </tr> <tr> <td>2</td> <td>Y</td> <td>47 M Echegaray Diez</td> </tr> </tbody> </table>				Pos	8D		1	R	138 M Serek	4	G	94 J Lang	3	B	21 Y Labarthe	2	Y	47 M Echegaray Diez	Serek Winner	
Pos	8A																																																																												
2	R	47 M Echegaray Diez																																																																											
10	G	114 T Morgando																																																																											
23	B																																																																												
31	Y																																																																												
Pos	8B																																																																												
1	R	116 R Naude																																																																											
4	G	107 C McBride																																																																											
1	B	47 M Echegaray Diez																																																																											
3	Y	114 T Morgando																																																																											
Pos	8C																																																																												
1	R	21 Y Labarthe																																																																											
4	G	86 G Klotzberg																																																																											
2	B	47 M Echegaray Diez																																																																											
3	Y	116 R Naude																																																																											
Pos	8D																																																																												
1	R	138 M Serek																																																																											
4	G	94 J Lang																																																																											
3	B	21 Y Labarthe																																																																											
2	Y	47 M Echegaray Diez																																																																											

International Gravity Sports Association

Event: Insul Cup
Location: Insul, Germany
Date: July 30, 2011
Event Level: World Cup
Weather: Overcast

Promoter: Lutz Wagenhauser
Chief Steward: Norman Kinnish
Starter: Marcus Rietema
Track Conditions: Dry
Course Length: 2.1 km (1.3mi)

Street Luge

