

International Gravity Sports Association

Event: Maryhill Festival of Speed
Junior World Championships
Location: Goldendale, Washington USA
Date: July 3, 2011
Event Level: Continental - North America
Weather: Warm and Windy

Promoter: Volcanic Promotions
Chief Steward: Marcus Rietema
Starter: Bob Ozman
Track Conditions: Dry
Course Length: 3.5 km

Downhill Skateboard Results

Pos	No	Surname	First Name	Nat	Best	Points
1	7	Königshausen	Ramón	SUI	3:08.983	383.44
2	964	Del Rosario-Rojas	Timothy	USA	3:12.604	368.62
3	965	Meiners	Billy	USA	3:12.758	361.60
4	212	Buksa	Graham	CAN	3:14.798	355.18
5	106	Shikaze	Zen	CAN	3:09.473	349.25
6	99	Siegrist	Martin	SUI	3:10.748	343.70
7	986	Torres	Joshua	USA	3:10.036	338.47
8	64	Snyder	Mike	USA	3:16.433	333.50
9	967	Wippermann	Max	USA	3:11.111	328.77
10	307	Watson	Tommy	USA	3:17.848	324.24
11	9	Chapman	Andrew	CAN	3:15.017	319.88
12	995	Cortright	Brian	USA	3:19.106	315.69
13	124	Tongue	Alex	USA	3:12.944	311.64
14	985	Spicoli	Jeff	CAN	3:14.662	307.71
15	24	Melo	Luke	CAN	3:17.824	303.91
16	386	Tibbles	Braden	CAN	3:20.291	300.21
17	185	Maytum	Zak	USA	3:11.180	296.61
18	126	Breton	Nick	CAN	3:13.931	293.10
19	129	Staub	Calvin	USA	3:15.554	289.67
20	962	Degen	Duke	USA	3:15.809	286.33
21	6	Kelly	James	USA	3:09.325	283.05
22	179	Riha	Jimmy	USA	3:15.696	279.85
23	95	Wagner	Connor	URU	3:18.290	276.71
24	745	Myers	Max	USA	3:18.791	273.63
25	973	Davidson	Brendan	CAN	3:11.263	270.61
26	8	Erban	Mischo	CAN	3:13.686	267.65
27	161	Ovenden	Trevor	USA	3:15.874	264.73
28	238	Chin	Kyle	USA	3:16.544	261.87
29	229	Mercado	Andrew	USA	3:16.725	259.05
30	432	Preston	Trevor	USA	3:17.143	256.28
31	237	Martin	Kyle	CAN	3:17.164	253.54
32	984	Sorensen	Ryan	USA	3:18.024	250.85
33	997	Royce	Willaim	USA	3:15.165	248.20
34	52	Readings	Justin	CAN	3:15.240	245.59
35	556	Smith	Blake	USA	3:15.290	243.01
36	988	Wood	Chip	USA	3:15.683	240.46
37	163	Rousseau	Maxim	CAN	3:16.114	237.95
38	375	Daley	Rain	USA	3:16.724	235.47
39	130	Harris	Riley	CAN	3:17.270	233.01
40	284	Greene	Malachi	USA	3:19.495	230.59
41	5	Smith	Scott (Scoot)	CAN	3:14.205	228.20
42	247	McGuirk	Robin	USA	3:14.367	225.83
43	346	Ortiz	Justen	CAN	3:17.012	223.49
44	974	DesJarlais	Brandon	USA	3:17.808	221.18
45	297	Von Glasow	Alexander	SUI	3:17.898	218.89
46	11	Rüefli	Stefan	SUI	3:18.680	216.63
47	828	Onchi	Curtis	USA	3:20.537	214.38

International Gravity Sports Association

Event: Maryhill Festival of Speed
Junior World Championships
Location: Goldendale, Washington USA
Date: July 3, 2011
Event Level: Continental - North America
Weather: Warm and Windy

Promoter: Volcanic Promotions
Chief Steward: Marcus Rietema
Starter: Bob Ozman
Track Conditions: Dry
Course Length: 3.5 km

Downhill Skateboard Continued Results

Pos	No	Surname	First Name	Nat	Best	Points
48	714	Silva	Alex	USA	3:15.456	212.17
49	983	Riley	Taylor	CAN	3:13.757	209.97
50	1032	Montjoy	Mike	USA	3:17.657	207.79
51	331	Montesano	Brandon	USA	3:17.902	205.64
52	248	Price	Dave	USA	3:18.117	203.50
53	83	Finocchio	Quin	CAN	3:18.224	201.38
54	506	Dutton	Jacob	CAN	3:19.067	199.29
55	976	Dubler	Maxwell	USA	3:19.145	197.21
56	1095	Manougian	Dennis	USA	3:19.180	195.15
57	783	Breetwor	Aaron	USA	3:20.706	193.10
58	389	Dixon	Dustin	USA	3:20.798	191.08
59	175	Capps	Maxwell	USA	3:21.457	189.07
60	1096	Grulich	Aaron	USA	3:21.488	187.08
61	656	O'Leyne	Aidian	USA	3:22.179	185.10
62	453	Johnson	Jed	USA	3:22.751	183.14
63	963	Luna	Daniel	USA	3:24.231	181.19
64	287	Morrow	Tristan	USA	3:27.893	179.26
65	968	Silvestri	Joey	USA	3:15.844	177.34
66	236	Garland	Ricky	USA	3:18.445	175.44
67	169	Henderson	Keith	USA	3:19.117	173.55
68	975	Douglas	Shaun	CAN	3:19.384	171.67
69	120	Bowditch	Michael	AUS	3:20.773	169.81
70	2	Labarthe	Yvon	SUI	3:21.231	167.96
71	501	Lewis	Wyndam	USA	3:21.290	166.13
72	1090	Schep	Patrick	USA	3:21.573	164.30
73	685	Castleberry	Steve	USA	3:21.981	162.49
74	131	Neilson (F)	Katie	CAN	3:22.221	160.69
75	552	Slota	Mike	CAN	3:22.327	158.90
76	190	Shea	Cody	USA	3:22.403	157.12
77	118	Coleman	Wolfgang	CAN	3:23.530	155.36
78	1000	Mathieson	Callum	NZL	3:28.802	153.60
79	616	Calafato	Nicholas	USA	3:30.524	151.86
80	368	Owen	Cameron	USA	3:15.403	150.13
81	42	Crone	Riley	USA	3:18.153	148.40
82	955	Rolo	Justin	USA	3:19.201	146.69
83	958	Singer	Eric	USA	3:19.764	144.99
84	1016	Cardenas	Abel	USA	3:20.319	143.30
85	924	Gemperle (F)	Rebekka	SUI	3:21.741	141.62
86	226	Morgan	Liam	USA	3:21.989	139.94
87	966	Mills	Ricky	USA	3:22.446	138.28
88	960	Hahn	Zac	USA	3:23.436	136.63
89	920	Kupish	Preston	USA	3:23.939	134.98
90	82	Smith	Spencer	USA	3:16.531	133.34
91	402	Nicassio	Austin	USA	3:17.767	131.72
92	961	Cameron	Bradley	USA	3:18.613	130.10
93	475	Schwartz	Hunter	USA	3:22.674	128.49
94	1043	Choy	Tomio	USA	3:23.360	126.89

International Gravity Sports Association

Event: Maryhill Festival of Speed
Junior World Championships
Location: Goldendale, Washington USA
Date: July 3, 2011
Event Level: Continental - North America
Weather: Warm and Windy

Promoter: Volcanic Promotions
Chief Steward: Marcus Rietema
Starter: Bob Ozman
Track Conditions: Dry
Course Length: 3.5 km

Downhill Skateboard Continued Results

Pos	No	Surname	First Name	Nat	Best	Points
95	733	Kautz	Shane	USA	3:23.366	125.29
96	271	Carter	Kelly	AUS	3:23.894	123.71
97	911	Bartel	Micah	USA	3:27.423	122.13
98	138	Green	Micaha	USA	3:25.456	120.56
99	548	Gaul	Chance	USA	3:24.503	119.00
100	490	Napier	Matthew	CAN	3:24.732	117.45
101	956	Di Vona	Nick	USA	3:24.778	115.90
102	991	Wells	Jackson	USA	3:27.079	114.36
103	425	Kell	Peter	USA	3:24.077	112.83
104	860	Gradillas	Alex	USA	3:24.301	111.31
105	799	Anderson	Jesse	USA	3:24.290	109.79
106	867	Jones	Roger	USA	3:26.303	108.28
107	517	Rosen	Dorian	USA	3:28.387	106.77
108	978	Kearney	Liam	USA	3:31.793	105.28
109	520	Hamilton	Scott	USA	3:24.164	103.79
110	575	Brodie	John	CAN	3:24.854	102.31
111	1054	Bertoncello	Norberto	BRA	3:26.362	100.83
112	811	Sheehy	Christopher	USA	3:32.002	99.36
113	334	Jackson	Dj	USA	3:26.502	97.90
114	877	Phillips	Grant	USA	3:30.014	96.44
115	979	Kinkopf	Joe	USA	3:32.349	94.99
116	839	Neffner	Jack	USA	3:32.405	93.54
117	794	Kautz	Cody	USA	3:24.592	92.11
118	994	Harrison	Gaines (papa dread)	USA	3:26.939	90.67
119	806	Bradshaw	Taylor	USA	3:28.834	89.25
120	568	Davenport	Brian	USA	3:29.664	87.83
121	611	Harvey	Joshua	USA	3:30.466	86.41
122	785	Schmidt	Nate	USA	3:31.395	85.00
123	876	Gesick	Reece	USA	3:32.405	83.60
124	951	Fairchild	Kevin	USA	3:33.924	82.20
125	977	Johnson	Jacob	USA	3:24.413	80.81
126	907	Vigon	George	MEX	3:26.201	79.42
127	1079	Virgolini	Agustin Pablo	ARG	3:27.037	78.04
128	1013	Rodriguez	Dariel	PUR	3:29.841	76.66
129	830	Tolman	Dorian	USA	3:30.101	75.29
130	952	Chastenay-Joseph	Samuel	CAN	3:30.669	73.93
131	980	Korman	Oliver	CAN	3:31.349	72.56
132	902	Romo	Alejandro	MEX	3:33.205	71.21
133	808	Jones	Bryn	USA	3:26.171	69.86
134	459	Ward	Brian	IRL	3:26.917	68.51
135	884	Archibeque	Andrew	USA	3:30.697	67.17
136	895	Figueroa	Daniel	MEX	3:33.638	65.84
137	258	Baca	Zachery	USA	3:24.680	64.50
138	1089	Rudgers	David	USA	3:25.810	63.18
139	996	Campbell	Nohlan	USA	3:26.081	61.86
140	89	Vukorep (F)	Dominique	CAN	3:33.384	60.54
141	526	Fast	Jake	USA	3:33.991	59.23

International Gravity Sports Association

Event: Maryhill Festival of Speed
Junior World Championships
Location: Goldendale, Washington USA
Date: July 3, 2011
Event Level: Continental - North America
Weather: Warm and Windy

Promoter: Volcanic Promotions
Chief Steward: Marcus Rietema
Starter: Bob Ozman
Track Conditions: Dry
Course Length: 3.5 km

Downhill Skateboard Continued Results

Pos	No	Surname	First Name	Nat	Best	Points
142	1028	Lang	Solomon	USA	3:34.739	57.92
143	1020	Gellatly	Jacob	USA	3:35.226	56.62
144	813	Bergman	John	USA	3:35.446	55.32
145	987	Warren	Brock	USA	3:35.890	54.02
146	953	Madden	Andrew	USA	3:36.497	52.73
147	1093	Green (F)	Jerica	USA	3:36.588	51.45
148	810	Flavin	Samuel	USA	3:36.738	50.17
149	959	Warren	Chris	USA	3:36.747	48.89
150	1064	McGhee	Mason	USA	3:36.978	47.62
151	560	Gibbs	Wyatt	USA	3:37.002	46.35
152	892	Favela	Daniel	MEX	3:37.426	45.08
153	1066	Stuart	Tim	USA	3:37.444	43.82
154	1062	Johnson	Tim	USA	3:38.008	42.57
155	919	Albee	Eric	USA	3:38.100	41.31
156	257	Wilder	Cory	USA	3:38.401	40.07
157	1094	Whiting	Bradley	USA	3:38.983	38.82
158	972	Duplain	Kélian	CAN	3:40.074	37.58
159	241	Smock	Steven	USA	3:41.098	36.34
160	949	Caro	Daniel	MEX	3:42.053	35.11
161	1015	Danielson	Nick	USA	3:42.148	33.88
162	855	Backlund (F)	Ishtar	SWE	3:42.282	32.66
163	1005	Zurfluh	Greg	USA	3:42.285	31.43
164	1011	Engberg	Kyle	USA	3:42.290	30.22
165	954	DAntonio	Nick	USA	3:42.584	29.00
166	853	Sheehy	Bryan	USA	3:42.657	27.79
167	848	Anderson	Ian	USA	3:43.042	26.58
168	483	Hebert (F)	Emilie	CAN	3:43.457	25.38
169	1022	Tull	Jacob	USA	3:44.231	24.18
170	1025	Bagley	Kyler	USA	3:45.453	22.98
171	982	Norals	LeParis	USA	3:45.567	21.79
172	1001	Collins	Spencer	USA	3:45.798	20.60
173	1078	Fillback (F)	Alicia	USA	3:46.461	19.41
174	1092	Norsworthy	Joshua	USA	3:48.254	18.23
175	1061	Cotter	Cameron (meadows)	USA	3:48.989	17.05
176	842	Anderson	Nathan	USA	3:49.972	15.88
177	1091	Krovak	Jakub	CZE	3:50.657	14.70
178	999	Harrison	Gaines (jr)	USA	3:52.049	13.53
179	868	Izman	Jes	MAS	3:54.862	12.37
180	900	Ismael	Jes	MAS	3:56.887	11.20
181	127	Dubois	Quinn	CAN	3:57.374	10.04
182	875	MacDonald	Connor	USA	4:08.469	8.89
183	1098	Paulshock	Sara	USA	4:11.224	7.73
184	1040	Bell	Tristan (Bellaboy)	CAN	4:17.919	6.58
185	1065	Bornstein	Adam	USA	4:24.318	5.44
186	637	Moisanen	Maxim	USA	5:14.319	4.29

International Gravity Sports Association

Event: Maryhill Festival of Speed
Junior World Championships
Location: Goldendale, Washington USA
Date: July 3, 2011
Event Level: Continental - North America
Weather: Warm and Windy

Promoter: Volcanic Promotions
Chief Steward: Marcus Rietema
Starter: Bob Ozman
Track Conditions: Dry
Course Length: 3.5 km

King of the Hill Downhill Skateboard Results

Pos	No	Surname	First Name	Nat	Best
1	6	Kelly	James	USA	3:09.325
2	106	Shikaze	Zen	CAN	3:09.473
3	99	Siegrist	Martin	SUI	3:10.748
4	967	Wippermann	Max	USA	3:11.111
5	986	Torres	Joshua	USA	3:10.036
6	7	Königshausen	Ramón	SUI	3:08.983

Women Downhill Skateboard Results

Pos	No	Surname	First Name	Nat	Best	Points
1	131	Neilson (F)	Katie	CAN	3:22.221	383.44
2	924	Gemperle (F)	Rebekka	SUI	3:21.741	368.62
3	89	Vukorep (F)	Dominique	CAN	3:33.384	361.60
4	1093	Green (F)	Jerica	USA	3:36.588	355.18
5	1078	Fillback (F)	Alicia	USA	3:46.461	349.25
6	855	Backlund (F)	Ishtar	SWE	3:42.282	343.70
7	483	Hebert (F)	Emilie	CAN	3:43.457	338.47
8	1098	Paulshock (F)	Sara	USA	4:11.224	333.50

Junior 1 Downhill Skateboard Results (Age 8-13)

Pos	No	Surname	First Name	Nat	Best	Points
1	996	Campbell	Nohlan	USA	3:26.081	383.44
2	867	Jones	Roger	USA	3:26.303	368.62
3	980	Korman	Oliver	CAN	3:31.349	361.60
4	853	Sheehy	Bryan	USA	3:42.657	355.18
5	842	Anderson	Nathan	USA	3:49.972	349.25
6	127	Dubois	Quinn	CAN	3:57.374	343.70
7	999	Harrison	Gaines (jr)	USA	3:52.049	338.47
8	1040	Bell	Tristan (Bellaboy)	CAN	4:17.919	333.50
9	1065	Bornstein	Adam	USA	4:24.318	328.77
10	637	Moisanen	Maxim	USA	5:14.319	324.24

Junior 2 Downhill Skateboard Results (Age 14-17)

Pos	No	Surname	First Name	Nat	Best	Points
1	967	Wippermann	Max	USA	3:11.111	383.44
2	714	Silva	Alex	USA	3:15.456	368.62
3	402	Nicassio	Austin	USA	3:17.767	361.60
4	955	Rolo	Justin	USA	3:19.201	355.18
5	973	Davidson	Brendan	CAN	3:11.263	349.25
6	42	Crone	Riley	USA	3:18.153	343.70
7	82	Smith	Spencer	USA	3:16.531	338.47
8	961	Cameron	Bradley	USA	3:18.613	333.50
9	975	Douglas	Shaun	CAN	3:19.384	328.77
10	169	Henderson	Keith	USA	3:19.117	324.24
11	83	Finocchio	Quin	CAN	3:18.224	319.88
12	271	Carter	Kelly	AUS	3:23.894	315.69
13	226	Morgan	Liam	USA	3:21.989	311.64
14	656	O'Leayne	Aidian	USA	3:22.179	307.71

International Gravity Sports Association

Event: Maryhill Festival of Speed
Junior World Championships
Location: Goldendale, Washington USA
Date: July 3, 2011
Event Level: Continental - North America
Weather: Warm and Windy

Promoter: Volcanic Promotions
Chief Steward: Marcus Rietema
Starter: Bob Ozman
Track Conditions: Dry
Course Length: 3.5 km

Junior 2 Downhill Skateboard Contiued Results (Age 14-17)

Pos	No	Surname	First Name	Nat	Best	Points
15	118	Coleman	Wolfgang	CAN	3:23.530	303.91
16	991	Wells	Jackson	USA	3:27.079	300.21
17	236	Garland	Ricky	USA	3:18.445	296.61
18	284	Greene	Malachi	USA	3:19.495	293.10
19	520	Hamilton	Scott	USA	3:24.164	289.67
20	1089	Rudgers	David	USA	3:25.810	286.33
21	1016	Cardenas	Abel	USA	3:20.319	283.05
22	1043	Choy	Tomio	USA	3:23.360	279.85
23	806	Bradshaw	Taylor	USA	3:28.834	276.71
24	876	Gesick	Reece	USA	3:32.405	273.63
25	974	DesJarlais	Brandon	USA	3:17.808	270.61
26	506	Dutton	Jacob	CAN	3:19.067	267.65
27	552	Slota	Mike	CAN	3:22.327	264.73
28	475	Schwartz	Hunter	USA	3:22.674	261.87
29	733	Kautz	Shane	USA	3:23.366	259.05
30	860	Gradillas	Alex	USA	3:24.301	256.28
31	548	Gaul	Chance	USA	3:24.503	253.54
32	949	Caro	Daniel	MEX	3:42.053	250.85
33	526	Fast	Jake	USA	3:24.164	248.20
34	963	Luna	Daniel	USA	3:24.231	245.59
35	794	Kautz	Cody	USA	3:24.592	243.01
36	911	Bartel	Micah	USA	3:27.423	240.46
37	978	Kearney	Liam	USA	3:31.793	237.95
38	979	Kinkopf	Joe	USA	3:32.349	235.47
39	839	Neffner	Jack	USA	3:32.405	233.01
40	919	Albee	Eric	USA	3:38.100	230.59
41	983	Riley	Taylor	CAN	3:13.757	228.20
42	920	Kupish	Preston	USA	3:23.939	225.83
43	611	Harvey	Joshua	USA	3:30.466	223.49
44	884	Archibeque	Andrew	USA	3:30.697	221.18
45	560	Gibbs	Wyatt	USA	3:37.002	218.89
46	1094	Whiting	Bradley	USA	3:38.983	216.63
47	1015	Danielson	Nick	USA	3:42.148	214.38
48	966	Mills	Ricky	USA	3:22.446	212.17
49	1020	Gellatly	Jacob	USA	3:35.226	209.97
50	810	Flavin	Samuel	USA	3:36.738	207.79
51	1064	McGhee	Mason	USA	3:36.978	205.64
52	1011	Engberg	Kyle	USA	3:42.290	203.50
53	1022	Tull	Jacob	USA	3:44.231	201.38
54	1025	Bagley	Kyler	USA	3:45.353	199.29
55	1001	Collins	Spencer	USA	3:45.798	197.21
56	900	Ismael	Jes	MAS	3:56.887	195.15
57	875	MacDonald	Connor	USA	4:08.469	193.10
58	977	Johnson	Jacob	USA	3:24.413	191.08

International Gravity Sports Association

Event: Maryhill Festival of Speed
Junior World Championships
Location: Goldendale, Washington USA
Date: July 3, 2011
Event Level: Continental - North America
Weather: Warm and Windy

Promoter: Volcanic Promotions
Chief Steward: Marcus Rietema
Starter: Bob Ozman
Track Conditions: Dry
Course Length: 3.5 km

Classic Luge Results

Pos	No	Surname	First Name	Nat	Best	Points
1	2	Labarthe	Yvon	SUI	3:11.668	383.44
2	169	Henderson	Keith	USA	3:14.598	368.62
3	167	Huey	Jon	USA	3:15.029	361.60
4	40	Conaway	Christian	USA	3:12.833	355.18
5	52	Hicks	Christopher	USA	3:23.451	349.25
6	239	Williams	Frank	USA	3:18.774	343.70
7	35	Castaneda	Kyle	USA	3:13.356	338.47
8	9	Parks	Kolby	CAN	3:20.352	333.50
9	82	Kasmar	Daniel	USA	3:24.457	328.77
10	8	Condon	William	CAN	3:28.271	324.24
11	129	Tolman	Justin	USA	3:17.151	319.88
12	37	Mcintyre	Michael	USA	3:21.448	315.69
13	240	Novak	Tim	USA	3:28.258	311.64
14	11	McBride	Chris	USA	3:29.907	307.71
15	32	Godfrey	Simon	AUS	3:38.396	303.91
16	656	O'Leayne	Aidian	USA	3:41.725	300.21
17	242	Zehner	Benjamin	USA	3:22.859	296.61
18	41	Kinnish	Nick	ENG	3:27.778	293.10
19	257	Wilder	Cory	USA	3:43.129	289.67
20	244	Escandar	Darius	USA	3:44.819	286.33
21	616	Calafato	Nicholas	USA	3:29.961	283.05
22	157	Moisanen	Jan	USA	3:34.052	279.85
23	243	Burdick	Nate	USA	3:41.196	276.71
24	241	Smock	Steven	USA	3:44.476	273.63

Street Luge Results

Pos	No	Surname	First Name	Nat	Best	Points
1	37	Mcintyre	Michael	USA	3:02.675	383.44
2	2	Labarthe	Yvon	SUI	3:06.332	368.62
3	40	Conaway	Christian	USA	3:05.752	361.60
4	9	Parks	Kolby	CAN	3:08.162	355.18
5	52	Hicks	Christopher	USA	3:08.665	349.25
6	8	Condon	William	CAN	3:09.468	343.70
7	237	Marshall	Joseph	USA	3:11.782	338.47
8	35	Castaneda	Kyle	USA	3:09.878	333.50
9	129	Tolman	Justin	USA	3:09.801	328.77
10	82	Kasmar	Daniel	USA	3:14.642	324.24
11	1032	Montjoy	Mike	USA	3:11.365	319.88
12	1033	Ozman	Bob	USA	3:13.512	315.69
13	240	Novak	Tim	USA	3:18.872	311.64
14	143	Schoenberg	Samuele	USA	3:20.937	307.71
15	242	Zehner	Benjamin	USA	3:21.030	303.91
16	41	Kinnish	Nick	ENG	3:24.391	300.21
17	32	Godfrey	Simon	AUS	3:20.847	296.61
18	1097	Flandro	Robby	USA	3:22.214	293.10
19	11	McBride	Chris	USA	3:24.395	289.67
20	244	Escandar	Darius	USA	3:29.631	286.33
21	239	Williams	Frank	USA	3:17.393	283.05

International Gravity Sports Association

Event: Maryhill Festival of Speed
Junior World Championships
Location: Goldendale, Washington USA
Date: July 3, 2011
Event Level: Continental - North America
Weather: Warm and Windy

Promoter: Volcanic Promotions
Chief Steward: Marcus Rietema
Starter: Bob Ozman
Track Conditions: Dry
Course Length: 3.5 km

King of the Hill Street Luge Results

Pos	No	Surname	First Name	Nat	Best
1	37	Mcintyre	Michael	USA	3:02.675
2	2	Labarthe	Yvon	SUI	3:06.332
3	40	Conaway	Christian	USA	3:05.752
4	9	Parks	Kolby	CAN	3:08.162
5	8	Condon	William	CAN	3:09.468
6	52	Hicks	Christopher	USA	3:08.665

International Gravity Sports Association

Event: Maryland Festival of Speed
Junior World Championships
Location: Goldendale, Washington USA
Date: July 3, 2011
Event Level: Continental - North America
Weather: Warm and Windy

Promoter: Volcanic Promotions
Chief Steward: Marcus Rietema
Starter: Bob Ozman
Track Conditions: Dry
Course Length: 3.5 km

Repachage Downhill Skateboard

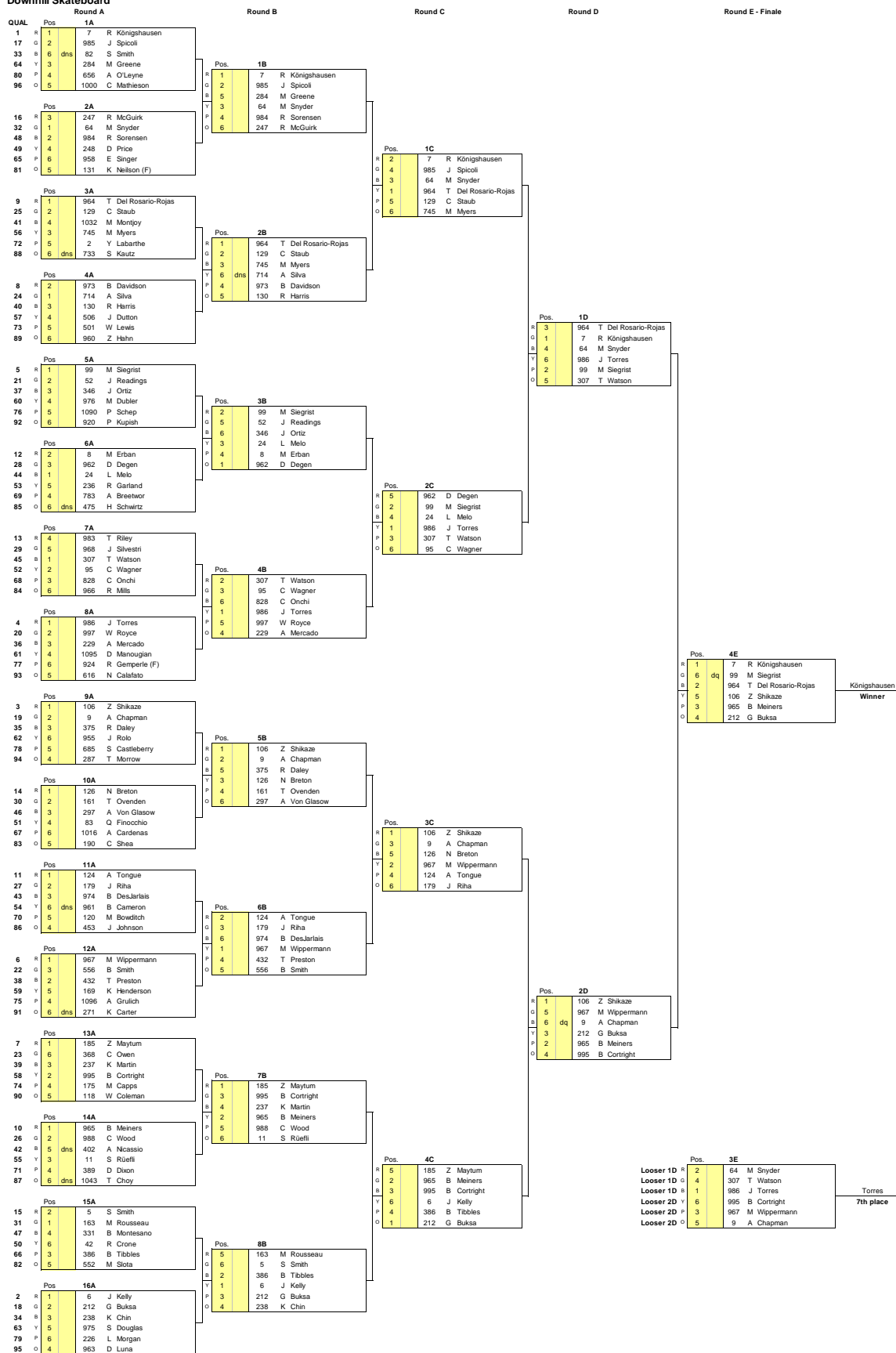
Round A			Round B			Round C			Round D - Finale		
Pos. 1A			Pos. 1B			Pos. 1C			Pos. 4D		
1	R	425 P Kell	1	R	425 P Kell	4	R	425 P Kell	6	R	138 M Green
9	G	dns 258 Z Baca	6	G	877 G Phillips	6	G	dnf 991 J Wells	5	G	911 M Bartel
17	B	5 907 G Vigon	4	B	978 L Kearney	2	B	911 M Bartel	4	B	1000 C Mathieson
32	Y	2 877 G Phillips	2	Y	991 J Wells	5	Y	dnf 860 A Gradillas	2	Y	287 T Morrow
40	P	3 978 L Kearney	3	P	911 M Bartel	3	P	1000 C Mathieson	3	P	963 D Luna
48	O	4 951 K Fairchild	5	O	811 C Sheehy	1	O	138 M Green	1	O	616 N Calafato
Pos. 2A			Pos. 2B			Pos. 2C			Pos. 3B		
8	R	4 794 C Kautz	1	R	860 A Gradillas	1	R	963 D Luna	1	R	963 D Luna
16	G	6 808 B Jones	3	G	138 M Green	5	G	1054 N Bertoncetto	5	G	1054 N Bertoncetto
24	B	1 991 J Wells	2	B	1000 C Mathieson	2	B	956 N Di Vona	2	B	956 N Di Vona
25	Y	2 911 M Bartel	5	Y	575 J Brodie	3	Y	616 N Calafato	3	Y	616 N Calafato
33	P	5 830 D Tolman	4	P	799 J Anderson	4	P	517 D Rosen	1	P	287 T Morrow
41	O	3 811 C Sheehy	6	O	334 D Jackson	6	O	dns 839 J Neffner	4	O	548 C Gaul
Pos. 3A			Pos. 3B			Pos. 3C			Pos. 4B		
5	R	1 860 A Gradillas	1	R	860 A Gradillas	2	R	963 D Luna	2	R	548 C Gaul
13	G	2 138 M Green	3	G	138 M Green	5	G	1054 N Bertoncetto	1	G	287 T Morrow
21	B	6 459 B Ward	2	B	1000 C Mathieson	2	B	956 N Di Vona	6	G	979 J Kinkopf
28	Y	3 1000 C Mathieson	5	Y	575 J Brodie	3	Y	616 N Calafato	3	Y	490 M Napier
36	P	5 952 S Chastenay-Joseph	4	P	799 J Anderson	4	P	517 D Rosen	5	P	520 S Hamilton
44	O	4 876 R Gesick	6	O	334 D Jackson	6	O	dns 839 J Neffner	4	O	867 R Jones
Pos. 4A			Pos. 4B			Pos. 4C			Pos. 5A		
4	R	2 799 J Anderson	1	R	860 A Gradillas	2	R	963 D Luna	3	R	963 D Luna
12	G	1 575 J Brodie	3	G	138 M Green	5	G	1054 N Bertoncetto	11	G	956 N Di Vona
20	B	3 334 D Jackson	2	B	1000 C Mathieson	2	B	956 N Di Vona	19	B	1054 N Bertoncetto
29	Y	4 806 T Bradshaw	5	Y	575 J Brodie	3	Y	616 N Calafato	30	Y	4 568 B Davenport
37	P	6 884 A Archibeque	4	P	799 J Anderson	4	P	517 D Rosen	38	P	5 960 O Kosman
45	O	5 902 A Romo	6	O	334 D Jackson	6	O	dns 839 J Neffner	46	O	6 dns 89 D Vukorep (F)
Pos. 5A			Pos. 5B			Pos. 5C			Pos. 6A		
3	R	1 963 D Luna	1	R	860 A Gradillas	2	R	963 D Luna	6	R	5 977 J Johnson
11	G	3 956 N Di Vona	3	G	138 M Green	5	G	1054 N Bertoncetto	14	G	6 dns 1089 D Rudgers
19	B	2 1054 N Bertoncetto	2	B	1000 C Mathieson	2	B	956 N Di Vona	22	B	4 994 G Harrison
30	Y	4 568 B Davenport	5	Y	575 J Brodie	3	Y	616 N Calafato	27	Y	2 517 D Rosen
38	P	5 960 O Kosman	4	P	799 J Anderson	4	P	517 D Rosen	35	P	1 616 N Calafato
46	O	6 dns 89 D Vukorep (F)	6	O	334 D Jackson	6	O	dns 839 J Neffner	43	O	3 839 J Neffner
Pos. 6A			Pos. 6B			Pos. 6C			Pos. 7A		
6	R	5 977 J Johnson	1	R	860 A Gradillas	2	R	963 D Luna	7	R	1 548 C Gaul
14	G	6 dns 1089 D Rudgers	3	G	138 M Green	5	G	1054 N Bertoncetto	15	G	6 dns 996 N Campbell
22	B	4 994 G Harrison	2	B	1000 C Mathieson	2	B	956 N Di Vona	23	B	5 dns 1079 A Virgolini
27	Y	2 517 D Rosen	5	Y	575 J Brodie	3	Y	616 N Calafato	26	Y	2 287 T Morrow
35	P	1 616 N Calafato	4	P	799 J Anderson	4	P	517 D Rosen	34	P	4 611 J Harvey
43	O	3 839 J Neffner	6	O	334 D Jackson	6	O	dns 839 J Neffner	42	O	3 979 J Kinkopf
Pos. 7A			Pos. 7B			Pos. 7C			Pos. 8A		
7	R	1 548 C Gaul	2	R	548 C Gaul	2	R	963 D Luna	2	R	2 520 S Hamilton
15	G	6 dns 996 N Campbell	1	G	287 T Morrow	5	G	1054 N Bertoncetto	10	G	1 490 M Napier
23	B	5 dns 1079 A Virgolini	6	G	979 J Kinkopf	2	B	956 N Di Vona	18	B	3 867 R Jones
26	Y	2 287 T Morrow	3	B	490 M Napier	3	Y	616 N Calafato	31	Y	5 1013 D Rodriguez
34	P	4 611 J Harvey	5	Y	575 J Brodie	1	P	287 T Morrow	39	P	4 785 N Schmidt
42	O	3 979 J Kinkopf	4	P	799 J Anderson	4	O	548 C Gaul	47	O	6 895 D Figueroa
Pos. 8A			Pos. 8B			Pos. 8C			Pos. 9A		
2	R	2 520 S Hamilton	2	R	548 C Gaul	2	R	963 D Luna	1	R	1 138 M Green
10	G	1 490 M Napier	1	G	287 T Morrow	5	G	1054 N Bertoncetto	4	G	1 1000 C Mathieson
18	B	3 867 R Jones	6	G	979 J Kinkopf	2	B	956 N Di Vona	2	B	2 287 T Morrow
31	Y	5 1013 D Rodriguez	3	B	490 M Napier	3	Y	616 N Calafato	3	Y	3 963 D Luna
39	P	4 785 N Schmidt	5	Y	575 J Brodie	1	P	287 T Morrow	1	P	1 616 N Calafato
47	O	6 895 D Figueroa	4	O	867 R Jones	4	O	490 M Napier	1	O	1 616 N Calafato

Calafato
Winner

International Gravity Sports Association
Event: Maryland Festival of Speed
 Junior World Championships
Location: Goldendale, Washington USA
Date: July 3, 2011
Event Level: Continental - North America
Weather: Warm and Windy

Promoter: Volcanic Promotions
Chief Steward: Marcus Rietema
Starter: Bob Ozman
Track Conditions: Dry
Course Length: 3.5 km

Downhill Skateboard



International Gravity Sports Association

Event: Maryland Festival of Speed
Junior World Championships
Location: Goldendale, Washington USA
Date: July 3, 2011
Event Level: Continental - North America
Weather: Warm and Windy

Promoter: Volcanic Promotions
Chief Steward: Marcus Rietema
Starter: Bob Ozman
Track Conditions: Dry
Course Length: 3.5 km

Women Downhill Skateboard

Round A			Round B - Finale			
1A			2B			
1	R	924 R Gemperte (F)	2	R	924 R Gemperte (F)	
3	G	89 D Vukorep (F)	3	G	89 D Vukorep (F)	
5	B	855 I Backlund (F)	6	B	855 I Backlund (F)	
8	Y	4 dns	1098 S Paulshock	1	Y	131 K Neilson (F)
10	P		4	P	1093 J Green (F)	
12	O		5	O	1078 A Fillback (F)	
2A			Winner			
2	R	131 K Neilson (F)	Neilson (F)			
4	G	1093 J Green (F)				
6	B	483 E Hebert (F)				
7	Y	1078 A Fillback (F)				
9	P					
11	O					

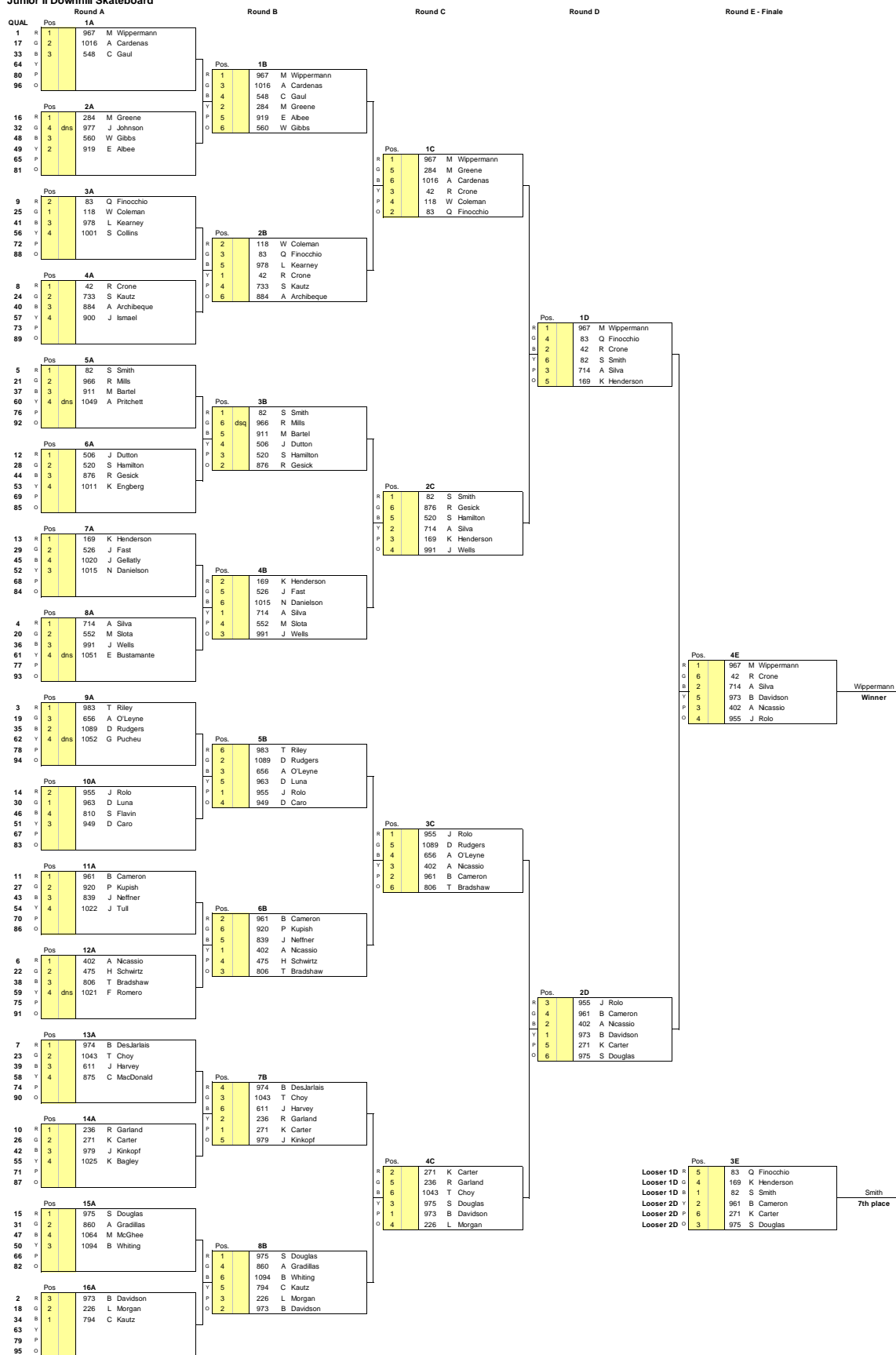
Junior I Downhill Skateboard

Round A			Round B			Round C - Finale		
1A			1B			4C		
1	R	996 N Campbell	1	R	996 N Campbell	1	R	996 N Campbell
5	G	842 N Anderson	3	G	842 N Anderson	4	G	853 B Sheehy
12	B		2	B	853 B Sheehy	2	B	867 R Jones
16	Y		4	Y	1040 T Bell	3	Y	980 O Korman
2A			2B			Winner		
4	R	853 B Sheehy	2	R	980 O Korman	Campbell		
8	G	1040 T Bell	3	G	127 Q Dubois			
9	B	1065 A Bornstein	1	B	867 R Jones			
13	Y		4	Y	999 G Harrison			
3A			3C			5th place		
3	R	980 O Korman	1	R	842 N Anderson	Anderson		
7	G	127 Q Dubois	4	G	1040 T Bell			
10	B	637 M Moisanen	2	B	127 Q Dubois			
14	Y		3	Y	999 G Harrison			
4A			Looser 1B			Looser 2B		
2	R	867 R Jones	1	R	842 N Anderson	1	R	842 N Anderson
6	G	999 G Harrison	4	G	1040 T Bell	4	G	1040 T Bell
11	B		2	B	127 Q Dubois	2	B	127 Q Dubois
15	Y		3	Y	999 G Harrison	3	Y	999 G Harrison

International Gravity Sports Association
Event: Maryland Festival of Speed
 Junior World Championships
Location: Goldendale, Washington USA
Date: July 3, 2011
Event Level: Continental - North America
Weather: Warm and Windy

Promoter: Volcanic Promotions
Chief Steward: Marcus Rietema
Starter: Bob Ozman
Track Conditions: Dry
Course Length: 3.5 km

Junior II Downhill Skateboard



International Gravity Sports Association

Event: Maryhill Festival of Speed Junior World Championships
Location: Goldendale, Washington USA
Date: July 3, 2011
Event Level: Continental - North America
Weather: Warm and Windy

Promoter: Volcanic Promotions
Chief Steward: Marcus Rietema
Starter: Bob Ozman
Track Conditions: Dry
Course Length: 3.5 km

Street Luge

Round A			Round B			Round C - Finale				
Pos. 1A			Pos. 1B			Pos. 4C				
1	R	1	37	M McIntyre	1	R	1	37	M McIntyre	McIntyre Winner
5	G	2	52	C Hicks	2	G	2	52	C Hicks	
9	B	3	1032	M Monjoy	5	B	3	9	K Parks	
16	Y	4	143	S Schoenberg	3	Y	4	35	K Castaneda	
20	P	5	11	C McBride	4	P	4	82	D Kasmar	
24	O	6	0		6	O	6	40	C Conway	
Pos. 2A			Pos. 2B			Pos. 3C				
4	R	1	9	K Parks	1	R	1	2	Y Labarthe	Marshall 7th place
8	G	2	35	K Castaneda	4	G	2	129	J Tolman	
12	B	3	82	D Kasmar	6	B	3	1033	B Ozman	
13	Y	4	239	F Williams	2	Y	4	40	C Conway	
17	P	5	242	B Zehner	5	P	5	237	J Marshall	
21	O	6	244	D Escandar	3	O	6	8	W Condon	
Pos. 3A			Pos. 2A			Pos. 3C				
3	R	1	2	Y Labarthe	2	R	1	40	C Conway	Marshall 7th place
7	G	2	129	J Tolman	6	G	2	8	W Condon	
11	B	3	1033	B Ozman	10	B	2	237	J Marshall	
14	Y	4	240	T Novak	15	Y	5	32	S Godfrey	
18	P	5	1097	R Flandro	19	P	4	41	N Kinnish	
22	O	6			23	O	6			
Pos. 2A			Pos. 3C			Pos. 3C				
2	R	1	40	C Conway	Looser 1B	R	2	35	K Castaneda	Marshall 7th place
6	G	3	8	W Condon	Looser 1B	G	5	dns		
10	B	2	237	J Marshall	Looser 1B	B	4	82	D Kasmar	
15	Y	5	32	S Godfrey	Looser 2B	Y	3	129	J Tolman	
19	P	4	41	N Kinnish	Looser 2B	P	1	237	J Marshall	
23	O	6			Looser 2B	O	6	dns		

Classic Luge

Round A			Round B			Round C - Finale				
Pos. 1A			Pos. 1B			Pos. 4C				
1	R	2	2	Y Labarthe	3	R	1	167	J Huey	Labarthe Winner
5	G	1	167	J Huey	1	G	2	2	Y Labarthe	
9	B	3	37	M McIntyre	5	B	3	37	M McIntyre	
16	Y	4	11	C McBride	2	Y	4	169	K Henderson	
20	P	6	243	N Burdick	4	P	4	9	K Parks	
24	O	5	244	D Escandar	6	O	6	82	D Kasmar	
Pos. 2A			Pos. 2B			Pos. 3C				
4	R	1	169	K Henderson	6	R	6	35	K Castaneda	Castaneda 7th place
8	G	2	9	K Parks	2	G	2	52	C Hicks	
12	B	3	82	D Kasmar	3	B	3	239	F Williams	
13	Y	5	41	N Kinnish	1	Y	1	40	C Conway	
17	P	6	616	N Calafato	5	P	5	129	J Tolman	
21	O	4	656	A O'Leary	4	O	4	8	W Condon	
Pos. 3A			Pos. 2A			Pos. 3C				
3	R	1	35	K Castaneda	2	R	1	40	C Conway	Castaneda 7th place
7	G	3	239	F Williams	6	G	2	129	J Tolman	
11	B	2	52	C Hicks	10	B	5	242	B Zehner	
14	Y	4	240	T Novak	15	Y	3	8	W Condon	
18	P	6	157	J Moisanen	19	P	4	32	S Godfrey	
22	O	5	257	C Wilder	23	O	6	241	S Smock	
Pos. 2A			Pos. 3C			Pos. 3C				
2	R	1	40	C Conway	Looser 1B	R	2	9	K Parks	Castaneda 7th place
6	G	2	129	J Tolman	Looser 1B	G	6	dns		
10	B	5	242	B Zehner	Looser 1B	B	3	37	M McIntyre	
15	Y	3	8	W Condon	Looser 1B	O	4	8	W Condon	
19	P	4	32	S Godfrey	Looser 2B	P	5	129	J Tolman	
23	O	6	241	S Smock	Looser 2B	O	1	35	K Castaneda	