

International Gravity Sports Association

Event: Padova Grand Prix
Location: Teolo, Italy
Date: August 7, 2011
Event Level: Continental
Weather: 30c with rain showers

Promoter: Roll Club Padova
Chief Steward: Norman Kinnish
Starter: Guillaume Gansert
Track Conditions: Mixed Dry / Wet
Course Length: 1.6 km (1.0mi)

Downhill Skateboard Results

Pos	No	Surname	First Name	Nat	Best	Points
1	2	Switzer	Patrick	CAN	1:58.801	383.44
2	163	Tongue	Alex	USA	2:01.401	368.62
3	121	Garant-Rousseau	Maxim	CAN	2:01.112	361.60
4	168	Bouaich	Kevin	SUI	2:03.017	355.18
5	32	Sunde	Torbjørn	NOR	2:01.434	349.25
6	147	Readings	Justin	CAN	2:03.502	343.70
7	15	Sandberg	Robin	NOR	2:03.425	338.47
8	92	Garcia	Silon	BRA	2:02.285	333.50
9	56	Ballesteros	Max	BRA	2:02.748	328.77
10	156	Smith	Spencer	USA	2:04.293	324.24
11	76	Courtois	Thibault	FRA	2:04.996	319.88
12	93	Haller	Christoph	SUI	2:05.378	315.69
13	134	Robert	Nicolas	SUI	2:02.231	311.64
14	8	Erban	Mischo	CAN	2:02.269	307.71
15	162	Tibbles	Braden	CAN	2:05.786	303.91
16	63	Baßler	Sebastian	GER	2:08.687	300.21
17	7	Königshausen	Ramón	SUI	1:59.465	296.61
18	24	Melo	Luke	CAN	2:01.701	293.10
19	169	Kowalski	Dominik	GER	2:02.345	289.67
20	79	D'Elia Martín	Alexander	ESP	2:03.306	286.33
21	11	Rüfli	Stefan	SUI	2:04.445	283.05
22	55	Bajo	Alvaro	ESP	2:05.479	279.85
23	62	Bareaud	Olivier	FRA	2:05.995	276.71
24	119	Mathieson	Callum	NZL	2:08.527	273.63
25	10	Shapiera	Jackson	AUS	2:01.300	270.61
26	66	Bowditch	Michael	AUS	2:04.281	267.65
27	34	Labarthe	Yvon	SUI	2:04.794	264.73
28	72	Conan	Pierre	FRA	2:05.592	261.87
29	107	Lessmann	Mathias	AUS	2:06.717	259.05
30	73	Costa	Marcos	URG	2:06.788	256.28
31	57	Baradoy	Ross	SUI	2:09.241	253.54
32	65	Bougourd (F)	Marie	FRA	2:11.425	250.85
33	78	Dehmel	Alex	GER	2:05.061	248.20
34	166	Wagner	Florian	AUT	2:06.817	245.59
35	133	Neilson (F)	Katie	CAN	2:06.852	243.01
36	89	Piton	Gabin	FRA	2:07.737	240.46
37	152	Sánchez López	David	ESP	2:07.983	237.95
38	139	Pedron	Leonardo	ITA	2:07.984	235.47
39	77	Currius Feliu	Gerard	ESP	2:08.297	233.01
40	106	Larumbe	Guillermo	ESP	2:09.410	230.59
41	127	Morgando	Thibault	FRA	2:09.891	228.20
42	137	Pais de Moura	Leandro	BRA	2:10.236	225.83
43	54	Arrizabalaga	Iker	ESP	2:10.311	223.49
44	113	Mäkelä	Lasse	FIN	2:10.459	221.18
45	105	Kosonen	Juho	FIN	2:11.902	218.89
46	160	Sturaro	Stefano	ITA	2:12.069	216.63
47	125	Javier	Molina	ESP	2:12.105	214.38
48	90	Gailitis	Gustavs	LAT	2:12.989	212.17
49	9	Chapman	Andrew	CAN	2:04.700	209.97
50	85	Fouz Rey	Pablo	ESP	2:06.766	207.79
51	112	Maidana	Leonel	ESP	2:09.170	205.64

International Gravity Sports Association

Event: Padova Grand Prix
Location: Teolo, Italy
Date: August 7, 2011
Event Level: Continental
Weather: 30c with rain showers

Promoter: Roll Club Padova
Chief Steward: Norman Kinnish
Starter: Guillaume Gansert
Track Conditions: Mixed Dry / Wet
Course Length: 1.6 km (1.0mi)

Downhill Skateboard Continued Results

Pos	No	Surname	First Name	Nat	Best	Points
52	74	Costa Zomeno	Ruben	ESP	2:10.231	203.50
53	155	Serek Dr.	Michael	AUT	2:10.530	201.38
54	164	Velasco	Francisco Javier	ESP	2:10.833	199.29
55	135	Nilsson	Kim	SWE	2:10.931	197.21
56	165	Jordana	Vincent	FRA	2:11.033	195.15
57	91	Gamby	Pierre	FRA	2:11.234	193.10
58	102	Klamm	Florian	GER	2:11.369	191.08
59	136	Novoa	Gerardo	ESP	2:12.719	189.07
60	115	Martin	Ivan	ESP	2:12.886	187.08
61	143	Prader (F)	Tamara	SUI	2:14.508	185.10
62	151	Salminen	Janne	FIN	2:14.956	183.14
63	6	Kelly	James	USA	2:01.781	181.19
64	33	Persson	Adam	SWE	2:01.901	179.26
65	70	Carbonell	Fèlix	ESP	2:15.280	177.34
66	69	Buzzola	Davide	ITA	2:16.293	175.44
67	148	Gemperle (F)	Rebekka	SUI	2:16.731	173.55
68	126	Moreni	Andrea	ITA	2:17.162	171.67
69	97	Hietala	Ville	FIN	2:17.272	169.81
70	145	Pujante Locutura	Marco	ESP	2:17.769	167.96
71	53	Aldinucci	Marcus	ITA	2:17.791	166.13
72	68	Bücheler (F)	Fee	GER	2:20.054	164.30
73	109	Lindenmaier (F)	Anni	GER	2:22.606	162.49
74	159	Stephenson	William	ENG	2:26.788	160.69
75	100	Kalb	Gero	GER	2:28.138	158.90
76	96	Hawes	Daniel	AUS	2:31.018	157.12

Women Downhill Skateboard Results

Pos	No	Surname	First Name	Nat	Best	Points
1	133	Neilson	Katie	CAN	2:06.852	383.44
2	148	Gemperle	Rebekka	SUI	2:16.731	368.62
3	65	Bougourd	Marie	FRA	2:11.425	361.60
4	143	Prader	Tamara	SUI	2:14.508	355.18
5	68	Bücheler	Fee	GER	2:20.054	349.25
6	109	Lindenmaier	Anni	GER	2:22.606	343.70

Junior 1 Downhill Skateboard Results (Age 8-13)

Pos	No	Surname	First Name	Nat	Best	Points
1	100	Kalb	Gero	GER	2:28.138	383.44

Junior 2 Downhill Skateboard Results (Age 14-17)

Pos	No	Surname	First Name	Nat	Best	Points
1	72	Conan	Pierre	FRA	2:05.592	383.44
2	85	Fouz Rey	Pablo	ESP	2:06.766	368.62
3	89	Piton	Gabin	FRA	2:07.737	361.60
4	70	Carbonell	Fèlix	ESP	2:15.280	355.18
5	156	Smith	Spencer	USA	2:04.293	349.25
6	53	Aldinucci	Marcus	ITA	2:17.791	343.70
7	126	Moreni	Andrea	ITA	2:16.343	338.47
8	160	Sturaro	Stefano	ITA	2:12.069	333.50

International Gravity Sports Association

Event: Padova Grand Prix
Location: Teolo, Italy
Date: August 7, 2011
Event Level: Continental
Weather: 30c with rain showers

Promoter: Roll Club Padova
Chief Steward: Norman Kinnish
Starter: Guillaume Gansert
Track Conditions: Mixed Dry / Wet
Course Length: 1.6 km (1.0mi)

Classic Luge Results

Pos	No	Surname	First Name	Nat	Best	Points
1	155	Serek	Michael	AUT	2:01.186	383.44
2	83	Echegaray-Diez	Mikel	ESP	2:01.427	368.62
3	150	Robert	Cedric	SUI	2:01.748	361.60
4	34	Labarthe	Yvon	SUI	2:01.808	355.18
5	132	Naude	Russell	RSA	2:02.144	349.25
6	144	Pruhal	Fabien	FRA	2:04.008	343.70
7	103	Klotzberg	Georg	AUT	2:04.171	338.47
8	80	Demarchi	Matteo	ITA	2:04.810	333.50
9	88	Frischauf	Alexander	AUT	2:05.271	328.77
10	170	Peer	Scott	USA	2:06.401	324.24
11	84	Eliot	Peter	GBR	2:07.126	319.88
12	52	Aldinucci	Daniele	ITA	2:07.423	315.69
13	165	Jordana	Vincent	FRA	2:08.025	311.64
14	127	Morgando	Thibault	FRA	2:08.073	307.71
15	153	Scarabosio	Massimiliano	ITA	2:08.107	303.91
16	64	Bossotto	Andrea	ITA	2:08.373	300.21
17	123	McBride	Chris	USA	2:08.860	296.61
18	117	Martinsen	Lars	NOR	2:09.189	293.10
19	51	Alcalde	Jorge	ESP	2:09.379	289.67
20	101	Kalb	Gunnar	GER	2:10.187	286.33
21	149	Righetti	Carlo	ITA	2:12.933	283.05
22	100	Kalb	Gero	GER	2:14.282	279.85

Results were based on qualifying due to rain

Street Luge Results

Pos	No	Surname	First Name	Nat	Best	Points
1	83	Echegaray-Diez	Mikel	ESP	1:57.359	383.44
2	111	Mahdzan	Abdil (furlong)	MAS	1:57.290	368.62
3	159	Stephenson	William	ENG	1:56.949	361.60
4	150	Robert	Cedric	SUI	2:00.821	355.18
5	129	Müller	Michael	AUT	1:59.214	349.25
6	34	Labarthe	Yvon	SUI	1:58.425	343.70
7	84	Eliot	Peter	GBR	1:58.686	338.47
8	132	Naude	Russell	RSA	2:00.128	333.50
9	161	Miquel	Jan	ESP	2:00.345	328.77
10	88	Frischauf	Alexander	AUT	2:01.530	324.24
11	114	Torralba	Gerard	ESP	2:01.926	319.88
12	144	Pruhal	Fabien	FRA	2:02.348	315.69
13	80	Demarchi	Matteo	ITA	2:02.662	311.64
14	123	McBride	Chris	USA	2:03.841	307.71
15	51	Alcalde	Jorge	ESP	2:04.511	303.91
16	75	Cottali	Cristian	ITA	2:06.561	300.21
17	60	Barbero	Alberto	ITA	2:09.711	296.61
18	130	Napoli	Domenico	ITA	2:09.958	293.10
19	110	Magarò	Samuele	ITA	2:10.789	289.67
20	59	Barbero	Lara	ITA	2:11.701	286.33
21	58	Barbero	Roberto	ITA	2:14.839	283.05
22	81	Depollo	Maurizio	ITA	2:08.807	279.85

International Gravity Sports Association

Event: Padova Grand Prix
Location: Teolo, Italy
Date: August 7, 2011
Event Level: Continental
Weather: 30c with rain showers

Promoter: Roll Club Padova
Chief Steward: Norman Kinnish
Starter: Guillaume Gansert
Track Conditions: Mixed Dry / Wet
Course Length: 1.6 km (1.0mi)

Downhill Inline Results

Pos	No	Surname	First Name	Nat	Best	Points
1		Ladurner	Daniel	AUT	1:51.092	383.44
2		Perna	Harry	FRA	1:52.790	368.62
3		Noerl	Moritz	GER	1:54.119	361.60
4		Vecchi	Angelo	ITA	1:54.161	355.18
5		Poirier	Mathieu	FRA	1:55.232	349.25
6		Tacchini	Davide	ITA	1:55.614	343.70
7		Rouffiac	Jonathan	FRA	1:55.626	338.47
8		Woehrle	Tobias	GER	1:56.315	333.50
9		Christ-Thomas (F)	S��verine	FRA	1:57.729	328.77
10		Jacquin	R��gis	FRA	1:58.373	324.24
11		Lebrun	Alexandre	FRA	1:58.495	319.88
12		Prudent	Mathieu	FRA	1:58.613	315.69
13		Phlippoteau (F)	Marjorie	FRA	1:59.433	311.64
14		Peer	Scott	USA	1:59.881	307.71
15		Minaev	Ilya Frederik	RUS	1:59.916	303.91
16		Nocquet	Laurent	FRA	2:00.062	300.21
17		Mafran	Jean Baptiste	FRA	2:00.103	296.61
18		Liz��	Gabriel	FRA	2:00.110	293.10
19		Frommlet	Theo	GER	2:00.684	289.67
20		Veduta	Victor	FRA	2:01.246	286.33
21		Ladurner	Werner	AUT	2:01.285	283.05
22		Girin	Thierry	FRA	2:02.391	279.85
23		Doardo	Giorgio	ITA	2:02.751	276.71
24		Noerl	Udo	GER	2:02.768	273.63
25		Rigoldi	Massimo	ITA	2:02.770	270.61
26		Manescu	Dragos	ROU	2:02.891	267.65
27		Bouchet	Cyril	FRA	2:03.248	264.73
28		Marchand (F)	Marie	FRA	2:03.660	261.87
29		Clais	Raoul	FRA	2:03.830	259.05
30		Paoletti	Simone	ITA	2:03.899	256.28
31		Izard	Xavier	FRA	2:04.052	253.54
32		Berthelot	Mallory	FRA	2:04.333	250.85
33		Morandi	Silvio	FRA	2:04.386	248.20
34		Buchholzer (F)	Michelle	AUT	2:04.860	245.59
35		Wanger	Johannes	LIE	2:05.957	243.01
36		Amore	Raffaele	ITA	2:06.280	240.46
37		Ferhod	Djamel	FRA	2:07.205	237.95
38		Chaouch (F)	Faiza	FRA	2:10.872	235.47
39		Damaville (F)	Lydie	FRA	2:17.511	233.01
40		Rangeon (F)	Sandrine	FRA	2:19.116	230.59
41		Deloule (F)	Albane	FRA	2:20.165	228.20
42		Le Cosquer (F)	Solen	FRA	2:25.737	225.83
43		Nguyen	Hung Pierre	FRA	2:26.544	223.49

International Gravity Sports Association

Event: Padova Grand Prix

Location: Teolo, Italy

Date: August 7, 2011

Event Level: Continental

Weather: 30c with rain showers

Promoter: Roll Club Padova

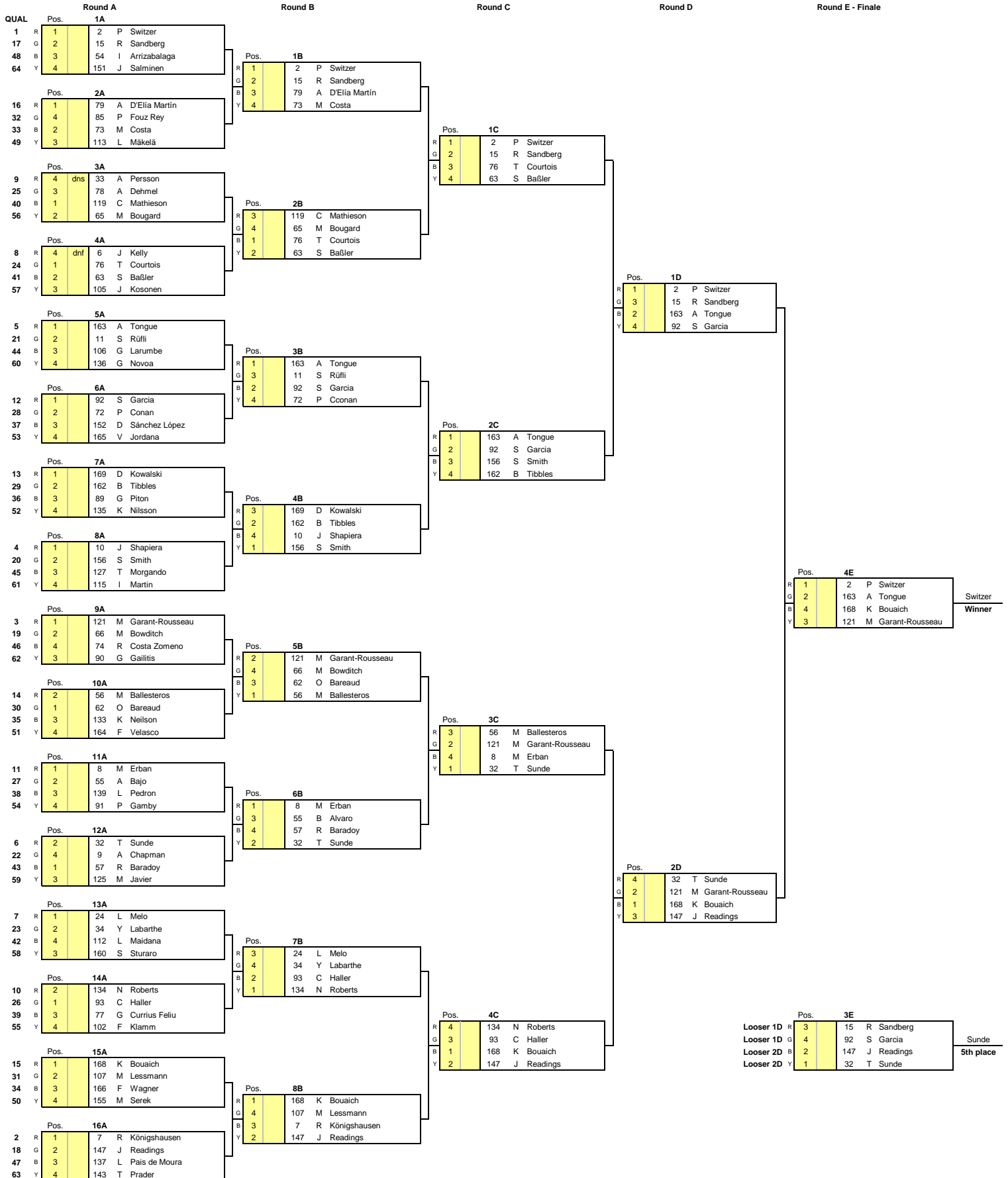
Chief Steward: Norman Kinnish

Starter: Guillaume Gansert

Track Conditions: Mixed Dry / Wet

Course Length: 1.6 km (1.0mi)

Downhill Skateboard



International Gravity Sports Association

Event: Padova Grand Prix

Location: Teolo, Italy

Date: August 7, 2011

Event Level: Continental

Weather: 30c with rain showers

Promoter: Roll Club Padova

Chief Steward: Norman Kinnish

Starter: Guillaume Gansert

Track Conditions: Mixed Dry / Wet

Course Length: 1.6 km (1.0mi)

Women Downhill Skateboard

Round A				Round B - Finale			
QUAL				QUAL			
	Pos	1A			Pos	2B	
1	R	1	133 K Neilson	R	1	133 K Neilson	Neilson Winner
3	G	2	143 T Prader	G	4	143 T Prader	
6	B	3	109 A Lindenmaier	B	2	148 R Gemperle	
8	Y			Y	3	65 M Bougard	
		2A				1B	
2	R	2	65 M Bougard	Looser 1A	R	2	109 A Lindenmaier
4	G	1	148 R Gemperle	Looser 1A	G		
5	B	3	68 F Bücheler	Looser 2A	B	1	68 F Bücheler
7	Y			Looser 2A	Y		Bücheler 5th place

Junior II Downhill Skateboard

Round A				Round B - Finale			
QUAL				QUAL			
	Pos	1A			Pos	2B	
1	R	3	156 S Smith	R	2	85 P Fouz Rey	Conan Winner
3	G	1	85 P Fouz Rey	G	4	70 F Carbonell	
6	B	2	70 F Carbonell	B	1	72 P CONAN	
8	Y	4	53 M Aldinucci	Y	3	89 P Gabin	
		2A				1B	
2	R	1	72 P Conan	Looser 1A	R	1	156 S Smith
4	G	2	89 G Piton	Looser 1A	G	2	53 M Aldinucci
5	B	3	160 S Sturaro	Looser 2A	B	4	160 S Sturaro
7	Y	4	126 A Moreni	Looser 2A	Y	3	126 A Moreni

Street Luge

Round A				Round B				Round C				Round D - Finale			
QUAL				QUAL				QUAL				QUAL			
	Pos	1A			Pos	1B			Pos	1C			Pos	4D	
1	R	2	159 W Stephenson	R	2	150 C Robert	159 W Stephenson 150 C Robert 84 P Eliot 34 Y Labarthe	R	2	159 W Stephenson	Echegaray Winner	R	4	150 C Robert	Echegaray Winner
9	G	1	150 C Robert	G	1	159 W Stephenson		G	1	150 C Robert		G	3	159 W Stephenson	
24	B	3	DNS 71 P Champion	B	3	161 J Miquel		B	4	dnf 84 P Eliot		B	1	83 M Echegaray	
32	Y			Y	4	75 C Cottali		Y	3	34 Y Labarthe		Y	2	111 A Mahdzan	
		2A				2B				2C				3D	
8	R	1	161 J Miquel	Looser 1A	R	1	84 P Eliot	Looser 1C	R	1	83 M Echegaray	Looser 1C	R	2	34 Y Labarthe
16	G	2	75 C Cottali	Looser 1A	G	4	80 M Demarchi	Looser 1C	G	3	129 M Müller	Looser 1C	G	3	84 P Eliot
17	B	3	DNS 81 M Depollo	Looser 2A	B	2	34 Y Labarthe	Looser 2C	B	4	132 R Naude	Looser 2C	B	1	129 M Müller
25	Y	4	DNS 94 P Hardillier	Looser 2A	Y	3	144 F Prual	Looser 2C	Y	2	111 A Mahdzan	Looser 2C	Y	4	132 R Naude
		3A				3B				3C				3D	
5	R	1	84 P Eliot	Looser 1A	R	1	83 M Echegaray	Looser 1C	R	1	83 M Echegaray	Looser 1C	R	2	34 Y Labarthe
13	G	2	80 M Demarchi	Looser 1A	G	3	114 G Torralba	Looser 1C	G	3	129 M Müller	Looser 1C	G	3	84 P Eliot
20	B	3	110 S Magarò	Looser 2A	B	2	129 M Müller	Looser 2C	B	4	132 R Naude	Looser 2C	B	1	129 M Müller
28	Y	4	DNS 155 M Serek	Looser 2A	Y	4	123 C McBride	Looser 2C	Y	2	111 A Mahdzan	Looser 2C	Y	4	132 R Naude
		4A				4B				3C				3D	
4	R	1	34 Y Labarthe	Looser 1A	R	1	132 R Naude	Looser 1C	R	1	83 M Echegaray	Looser 1C	R	2	34 Y Labarthe
12	G	2	144 F Prual	Looser 1A	G	4	51 J Alcalde Pereda	Looser 1C	G	3	129 M Müller	Looser 1C	G	3	84 P Eliot
21	B	3	59 L Barbero	Looser 2A	B	2	111 A Mahdzan	Looser 2C	B	4	132 R Naude	Looser 2C	B	1	129 M Müller
29	Y			Looser 2A	Y	3	88 A Frischauf	Looser 2C	Y	2	111 A Mahdzan	Looser 2C	Y	4	132 R Naude
		5A				4B				3C				3D	
3	R	1	83 M Echegaray-Diez	Looser 1A	R	1	132 R Naude	Looser 1C	R	1	83 M Echegaray	Looser 1C	R	2	34 Y Labarthe
11	G	2	114 G Torralba	Looser 1A	G	4	51 J Alcalde Pereda	Looser 1C	G	3	129 M Müller	Looser 1C	G	3	84 P Eliot
22	B	3	58 R Barbero	Looser 2A	B	2	111 A Mahdzan	Looser 2C	B	4	132 R Naude	Looser 2C	B	1	129 M Müller
30	Y			Looser 2A	Y	3	88 A Frischauf	Looser 2C	Y	2	111 A Mahdzan	Looser 2C	Y	4	132 R Naude
		6A				4B				3C				3D	
6	R	1	129 M Müller	Looser 1A	R	1	132 R Naude	Looser 1C	R	1	83 M Echegaray	Looser 1C	R	2	34 Y Labarthe
14	G	2	123 C McBride	Looser 1A	G	4	51 J Alcalde Pereda	Looser 1C	G	3	129 M Müller	Looser 1C	G	3	84 P Eliot
19	B	3	130 D Napoli	Looser 2A	B	2	111 A Mahdzan	Looser 2C	B	4	132 R Naude	Looser 2C	B	1	129 M Müller
27	Y	4	DNS 146 S Quemener	Looser 2A	Y	3	88 A Frischauf	Looser 2C	Y	2	111 A Mahdzan	Looser 2C	Y	4	132 R Naude
		7A				4B				3C				3D	
7	R	1	132 R Naude	Looser 1A	R	1	132 R Naude	Looser 1C	R	1	83 M Echegaray	Looser 1C	R	2	34 Y Labarthe
15	G	2	51 J Alcalde Pereda	Looser 1A	G	4	51 J Alcalde Pereda	Looser 1C	G	3	129 M Müller	Looser 1C	G	3	84 P Eliot
18	B	3	60 A Barbero	Looser 2A	B	2	111 A Mahdzan	Looser 2C	B	4	132 R Naude	Looser 2C	B	1	129 M Müller
26	Y	4	DNS 128 G Motta	Looser 2A	Y	3	88 A Frischauf	Looser 2C	Y	2	111 A Mahdzan	Looser 2C	Y	4	132 R Naude
		8A				4B				3C				3D	
2	R	1	111 A Mahdzan	Looser 1A	R	1	132 R Naude	Looser 1C	R	1	83 M Echegaray	Looser 1C	R	2	34 Y Labarthe
10	G	2	88 A Frischauf	Looser 1A	G	4	51 J Alcalde Pereda	Looser 1C	G	3	129 M Müller	Looser 1C	G	3	84 P Eliot
23	B	3	DNS 61 F Barboni	Looser 2A	B	2	111 A Mahdzan	Looser 2C	B	4	132 R Naude	Looser 2C	B	1	129 M Müller
31	Y			Looser 2A	Y	3	88 A Frischauf	Looser 2C	Y	2	111 A Mahdzan	Looser 2C	Y	4	132 R Naude