

**International Gravity Sports Association**

**Event:** Kozakov Challenge  
**Location:** Kozakov-Semily, Czech Republic  
**Date:** July 28, 2012  
**Event Level:** Continental  
**Weather:** Variable clouds & rain

**Promoter:** Czech Gravity Sports Association  
**Chief Steward:** Norman Kinnish  
**Starter:** Eimer Mayer  
**Track Conditions:** Dry turning to wet  
**Course Length:** 3.4 km

**Downhill Skateboard Results**

Pos	No	Surname	First Name	Nat	Best	Points
1	74	Bouaich	Kevin	SUI	2:25.766	383.44
2	55	Shikaze	Zen	JPN/CAN	2:25.989	368.62
3	48	Hertler	Sebastian	GER	2:26.421	361.60
4	31	Stephens	Dillon	CAN	2:28.902	355.18
5	1	Switzer	Patrick	CAN	2:27.902	349.25
6	83	Maytum	Zak	USA	2:27.151	343.70
7	598	Wood	Chip	USA	2:27.148	338.47
8	21	Persson	Adam	SWE	2:32.005	333.50
9	53	Lessa	Thiago Gomes	BRA	2:25.883	328.77
10	78	Staub	Calvin	USA	2:26.035	324.24
11	23	Konigshausen	Ramón	SUI	2:26.684	319.88
12	519	Hasselberg	Simon	NOR	2:34.507	315.69
13	64	Raab	Jakob	GER	2:26.203	311.64
14	6	Erban	Mischo	CZE/CAN	2:26.673	307.71
15	271	Pilloni	Louis	USA	2:26.774	303.91
16	12	Buksa	Graham	CAN	2:30.386	300.21
17	120	Batt	Christoph	SUI	2:24.914	296.61
18	17	Robert	Nicolas	SUI	2:25.227	293.10
19	5	Kelly	James	USA	2:25.595	289.67
20	560	Kienzle	Matthew	USA/CAN	2:26.047	286.33
21	16	Melo	Luke	CAN	2:28.118	283.05
22	558	Lundberg	Erik	SWE	2:28.314	279.85
23	577	Desmarais	Nicolas	CAN	2:29.817	276.71
24	561	Velhartický	Michal	CZE	2:32.239	273.63
25	2	Silva	Douglas (Dalua)	BRA	2:24.940	270.61
26	351	McWhinnie	Robert	AUS	2:27.967	267.65
27	188	Erdbrink	Andreas	GER	2:29.575	264.73
28	253	Klawitter	Martin	SWE	2:30.188	261.87
29	67	Conan	Pierre	FRA	2:30.211	259.05
30	607	Vanstone	Chris	GBR	2:32.008	256.28
31	506	Isler	Marcel	SUI	2:33.680	253.54
32	95	Slaughter	Oliver	GBR	2:34.286	250.85
33	133	Brickenden	Cam	CAN	2:28.430	248.20
34	269	Sanne	Christoffer	SWE	2:28.592	245.59
35	250	Costa	Marcos	URU	2:28.661	243.01
36	547	Finocchio	Quin	CAN	2:28.753	240.46
37	157	Torres	Joshua	USA	2:28.991	237.95
38	599	Ulrich	Alexandre	FRA	2:29.255	235.47
39	76	Garcia	Silon	BRA	2:29.371	233.01
40	381	Mengshoel Anderssen	Kim	NOR	2:29.794	230.59
41	70	Smith	Scott	CAN	2:30.663	228.20
42	8	Sunde	Torbjorn	NOR	2:30.710	225.83
43	205	Armfelt	Mauritz	SWE	2:31.410	223.49
44	19	Garant-Rousseau	Maxime	CAN	2:32.860	221.18
45	71	Piton	Gabin	FRA	2:33.949	218.89
46	60	Barnet	John	CAN	2:37.368	216.63
47	524	Kejř	Jaroslav	CZE	2:34.481	214.38
48	623	Preto	André	BRA	2:38.939	212.17
49	615	Ebel	Matthias	GER	2:27.713	209.97
50	43	Dehmel	Alex	GER	2:27.822	207.79
51	4	Tongue	Alex	USA	2:28.033	205.64

**International Gravity Sports Association**

**Event:** Kozakov Challenge  
**Location:** Kozakov-Semily, Czech Republic  
**Date:** July 28, 2012  
**Event Level:** Continental  
**Weather:** Variable clouds & rain

**Promoter:** Czech Gravity Sports Association  
**Chief Steward:** Norman Kinnish  
**Starter:** Eimer Mayer  
**Track Conditions:** Dry turning to wet  
**Course Length:** 3.4 km

**Downhill Skateboard Continued Results**

Pos	No	Surname	First Name	Nat	Best	Points
52	503	Ottesen	Herman	NOR	2:28.829	203.50
53	62	Patricksson	Henning Philip	NOR	2:29.448	201.38
54	365	Zajíc	Pavel	CZE	2:30.271	199.29
55	517	Lessing	Luca	GER	2:30.664	197.21
56	508	Bovetti	Cristian	ARG	2:31.291	195.15
57	594	Quiles	Pablo	ESP	2:32.473	193.10
58	587	Holden	Brian	USA	2:33.811	191.08
59	18	Tibbles	Braden	CAN	2:29.501	189.07
60	389	Gallimo	Aleix	ESP	2:30.713	187.08
61	521	Borg	Mattias	SWE	2:32.405	185.10
62	529	Lukeš	Radek	CZE	2:33.005	183.14
63	362	Cezar	Caio	BRA	2:33.608	181.19
64	522	Christner	Per	SWE	2:33.745	179.26
65	162	Hietala	Ville	FIN	2:35.067	177.34
66	41	Duss	Alex	RSA	2:35.209	175.44
67	520	Hasselberg	Sander	NOR	2:38.670	173.55
68	91	Lins	Luis	BRA	2:38.007	171.67
69	545	Hardillier	Pierre	FRA	2:36.333	169.81
70	293	Patricksson	Axel	NOR	2:39.176	167.96
71	504	Clavadetscher	Raoul	SUI	2:39.423	166.13
72	602	Pons	Victor Patricio	SUI	2:43.239	164.30
73	131	Nilsson	Kim	SWE	2:36.995	162.49
74	342	Siddiqi	Georges	AUS	2:37.490	160.69
75	287	Gatignon	Christophe	FRA	2:40.094	158.90
76	139	Tvete	Vegard	NOR	2:37.837	157.12
77	566	Krown	Lucas	SWE	2:35.501	155.36
78	144	Risch	Stephan	GER	2:36.798	153.60
79	563	Mondt	Deen	NED	2:37.401	151.86
80	457	Gugel	Daniel	GER	2:37.458	150.13
81	551	Dupuy	Philippe	FRA	2:37.611	148.40
82	540	Galvez	Oriol	ESP	2:37.815	146.69
83	552	Borek	Robert	POL	2:39.091	144.99
84	559	Lhermitte	Yann	CAN	2:41.439	143.30
85	252	Jordana	Vincent	FRA	2:35.893	141.62
86	605	Cano Rivas	Alfredo	ESP	2:38.970	139.94
87	575	Jean	Pascal	CAN	2:39.363	138.28
88	158	Gibello	Richard	RSA	2:39.364	136.63
89	553	Kay	Duncan	GBR	2:41.130	134.98
90	535	Baska	Caspian	AUS	2:35.006	133.34
91	229	Schüler	Francisco	CHI	2:35.682	131.72
92	527	Huhne	Ronald	CZE	2:38.834	130.10
93	127	Skippings	Aaron	GBR	2:35.454	128.49
94	528	Janoušek	Dominik	CZE	2:37.008	126.89
95	15	Readings	Justin	CAN	2:37.094	125.29
96	413	Sanchez López	David	ESP	2:37.832	123.71
97	550	Bougourd (F)	Marie	FRA	2:37.983	122.13
98	557	Vogler	Jolanda	SUI	2:38.316	120.56
99	509	Drysdale	Tad	USA	2:39.565	119.00
100	544	Seastien	Chommy	FRA	2:40.692	117.45
101	90	Dunmall	Nick	CAN	2:41.174	115.90
102	526	Kratochvíl	Martin Dominik	CZE	2:41.641	114.36

**International Gravity Sports Association**

**Event:** Kozakov Challenge  
**Location:** Kozakov-Semily, Czech Republic  
**Date:** July 28, 2012  
**Event Level:** Continental  
**Weather:** Variable clouds & rain

**Promoter:** Czech Gravity Sports Association  
**Chief Steward:** Norman Kinnish  
**Starter:** Eimer Mayer  
**Track Conditions:** Dry turning to wet  
**Course Length:** 3.4 km

**Downhill Skateboard Continued Results**

Pos	No	Surname	First Name	Nat	Best	Points
103	597	Serrat	Axel	ESP	2:42.422	112.83
104	591	Prader (F)	Tamara	SUI	2:42.569	111.31
105	510	Duma	Piotr	POL	2:43.967	109.79
106	424	Meurling	Max	SWE	2:44.422	108.28
107	502	Gemperle (F)	Rebekka	SUI	2:38.766	106.77
108	586	Los	Jakub	CZE	2:39.312	105.28
109	108	Johansson	Klaes	SWE	2:41.563	103.79
110	609	Maidana	Leonel	ARG	2:43.057	102.31
111	585	Árendáš	Adam	SVK	2:43.435	100.83
112	568	Barboni	Federico	ITA	2:43.822	99.36
113	596	Buene	Erik	NOR	2:44.272	97.90
114	530	Vaňourek	Marek	CZE	2:35.034	96.44
115	570	Sháněl	Joshua	CZE	2:36.260	94.99
116	518	Longwitz	Finn	GER	2:40.012	93.54
117	273	Edoff	Martin	SWE	2:40.562	92.11
118	565	Herman	Martin	CZE	2:41.359	90.67
119	152	Griffiths	John	GBR	2:41.503	89.25
120	531	Lassen	Jan Ove	GER	2:42.490	87.83
121	578	Eikeland	Oscar	NOR	2:43.638	86.41
122	29	Labarthe	Yvon	SUI	2:37.131	85.00
123	564	Pech	Tomáš	CZE	2:43.133	83.60
124	541	Yagues rodriguez	Charlio	ESP	2:45.158	82.20
125	567	Gires	Lennard	GER	2:46.553	80.81
126	555	Harrison	Chris	GBR	2:47.138	79.42
127	600	Destefani	Marcelo	CHI	2:48.195	78.04
128	576	Løvaas	Daniel	NOR	2:48.401	76.66
129	514	Eichmann	Steffen	GER	2:48.487	75.29
130	590	Braund	Jonathan	GBR	2:48.565	73.93
131	525	Salačová (F)	Lenka	CZE	2:49.840	72.56
132	481	Piton	Guillaume	FRA	2:50.147	71.21
133	103	Valebjørg	Andreas	NOR	2:50.787	69.86
134	501	Havnevik (F)	Kari	NOR	2:50.976	68.51
135	533	Schmidt-Rimpler Dinh	Kalvin	GER	2:51.307	67.17
136	539	McWhinnie (F)	Magaly	AUS	2:51.559	65.84
137	513	Schickor	Philipp	GER	2:51.654	64.50
138	230	Mikalsen	Lars	NOR	2:51.655	63.18
139	532	Kracht	Konstantin	GER	2:52.099	61.86
140	303	Meyer	Christian	GER	2:53.388	60.54
141	505	Roland	Trachsel	SUI	2:53.549	59.23
142	515	Dietz	Fabian	GER	2:54.616	57.92
143	613	Pujante Locutura	Marco	ESP	2:55.827	56.62
144	601	Heinsohn	Daniel	CHI	2:56.338	55.32
145	472	Marks	Leif	ESP	2:59.331	54.02
146	583	Leutgeb	Daniel	GER	2:59.332	52.73
147	554	Tretmanis	Uldis	MEX	2:59.533	51.45
148	569	Marasca	Roberto	ITA	3:01.441	50.17
149	538	Masiá Sánchez (F)	Sonso	ESP	3:02.816	48.89
150	622	Canales	Andres	PER	3:04.427	47.62
151	507	Kalb	Gero	GER	3:04.940	46.35
152	516	Kreie	Thomas	GER	3:05.698	45.08
153	571	Kupsch (F)	Gloria	GER	3:10.403	43.82

**International Gravity Sports Association**

**Event:** Kozakov Challenge  
**Location:** Kozakov-Semily, Czech Republic  
**Date:** July 28, 2012  
**Event Level:** Continental  
**Weather:** Variable clouds & rain

**Promoter:** Czech Gravity Sports Association  
**Chief Steward:** Norman Kinnish  
**Starter:** Eimer Mayer  
**Track Conditions:** Dry turning to wet  
**Course Length:** 3.4 km

**Downhill Skateboard Continued Results**

Pos	No	Surname	First Name	Nat	Best	Points
154	534	Keogh	Samuel	GER	3:15.597	42.57
155	523	Gaislerová	Daniela	CZE	3:17.818	41.31
156	592	Musil	Honza	CZE	3:29.672	40.07
157	573	Verholen	Martin	GER	DNF	38.82

**Women Downhill Skateboard Results**

Pos	No	Surname	First Name	Nat	Best	Points
1	502	Gemperle	Rebekka	SUI	2:38.766	383.44
2	550	Bougourd	Marie	FRA	2:37.983	368.62
3	525	Salačová	Lenka	CZE	2:49.840	361.60
4	501	Havnevik	Kari	NOR	2:50.976	355.18
5	591	Prader	Tamara	SUI	2:42.569	349.25
6	523	Gaislerová	Daniela	CZE	3:17.818	343.70
7	557	Vogler	Jolanda	SUI	2:38.007	338.47
8	538	Masiá Sánchez	Sonso	ESP	3:02.816	333.50
9	539	McWhinnie	Magaly	AUS	2:51.559	328.77
10	571	Kupsch	Gloria	GER	2:58.437	324.24

**Junior 1 Downhill Skateboard Results (Age 8-13)**

Pos	No	Surname	First Name	Nat	Best	Points
1	567	Gires	Lennard	GER	2:46.553	383.44
2	507	Kalb	Gero	GER	3:04.940	368.62

**Junior 2 Downhill Skateboard Results (Age 14-17)**

Pos	No	Surname	First Name	Nat	Best	Points
1	622	Canales	Andres Ricardo	PER	3:04.427	383.44
2	563	Mondt	Deen	NED	2:37.815	368.62
3	547	Finocchio	Quin	CAN	2:28.753	361.60
4	522	Christner	Per	SWE	2:33.745	355.18
5	528	Janoušek	Dominik	CZE	2:37.008	349.25
6	508	Bovetti	Cristian	ARG	2:31.291	343.70
7	540	Galvez	Oriol	ESP	2:37.815	338.47
8	424	Meurling	Max	SWE	2:44.422	333.50
9	535	Baska	Caspian	AUS	2:35.006	328.77
10	518	Longwitz	Finn	GER	2:40.012	324.24
11	576	Løvaas	Daniel	NOR	2:48.401	319.88
12	533	Schmidt-Rimpler Dinh	Kalvin	GER	2:51.307	315.69
13	504	Clavadetscher	Raoul	SUI	2:39.423	311.64
14	526	Kratochvíl	Martin Dominik	CZE	2:41.641	307.71
15	602	Pons	Victor	CHI	2:43.239	303.91
16	513	Schickor	Philipp	GER	2:51.654	300.21
17	534	Keogh	Samuel	GER	3:15.597	296.61
18	562	Van Winkoop	Taco	NED	DNS	293.10
19	578	Eikeland	Oscar	NOR	2:43.638	289.67

**Classic Luge Results**

Pos	No	Surname	First Name	Nat	Best	Points
1	542	Echegaray-Diez	Mikel	ESP	2:22.694	383.44
2	29	Labarthe	Yvon	SUI	2:25.754	368.62
3	595	Robert	Cédric	SUI	2:26.674	361.60
4	135	Serek Dr.	Michael	AUT	2:21.016	355.18
5	543	Fouz Rey	Pablo	ESP	2:29.611	349.25

**International Gravity Sports Association**

**Event:** Kozakov Challenge  
**Location:** Kozakov-Semily, Czech Republic  
**Date:** July 28, 2012  
**Event Level:** Continental  
**Weather:** Variable clouds & rain

**Promoter:** Czech Gravity Sports Association  
**Chief Steward:** Norman Kinnish  
**Starter:** Eimer Mayer  
**Track Conditions:** Dry turning to wet  
**Course Length:** 3.4 km

**Classic Luge Continued Results**

Pos	No	Surname	First Name	Nat	Best	Points
6	593	Klotzberg	Georg	AUT	2:27.347	343.70
7	536	Williams	Frank	USA	2:29.538	338.47
8	569	Marasca	Roberto	ITA	2:28.898	333.50
9	568	Barboni	Federico	ITA	2:26.651	328.77
10	549	Frischauf	Alexander	AUT	2:28.739	324.24
11	617	Eliot	Peter	GBR	2:33.951	319.88
12	621	Pešta	Dominik	CZE	2:52.790	315.69
13	271	Pilloni	Louis	USA	2:29.812	311.64
14	589	McBride	Chris	USA	2:36.156	307.71
15	584	Sobot	sascha	AUT	2:50.239	303.91
16	574	Verholen	Johanna	GER	2:54.699	300.21

**Street Luge Results**

Pos	No	Surname	First Name	Nat	Best	Points
1	603	Mahdzan	Abdil	MAL	2:21.085	383.44
2	29	Labarthe	Yvon	CHE	2:21.152	368.62
3	617	Eliot	Peter	GBR	2:23.343	361.60
4	548	Müller	Michael	AUT	2:21.635	355.18
5	581	Ptak	Jacek	POL	2:25.001	349.25
6	579	Stocker	Len	GBR	2:29.508	343.70
7	536	Williams	Frank	USA	2:27.312	338.47
8	549	Frischauf	Alexander	AUT	2:25.973	333.50
9	582	De Wit	Edgar	NED	2:27.090	328.77
10	580	Bunsch	Lukasz	POL	2:27.284	324.24
11	546	Witzigmann	Martin	GER	2:27.159	319.88
12	542	Echegaray-Diez	Mikel	ESP	2:19.069	315.69
13	135	Serek Dr.	Michael	AUT	2:23.992	311.64
14	595	Robert	Cédric	CHE	2:20.910	307.71
15	569	Marasca	Roberto	ITA	2:23.064	303.91
16	568	Barboni	Federico	ITA	2:25.931	300.21
17	589	McBride	Chris	USA	2:30.647	296.61
18	588	Bewley	Ben	GBR	2:32.002	293.10
19	512	Grucka	Marek	POL	2:38.252	289.67
20	511	Grucka	Tomasz	POL	2:38.649	286.33
21	572	Cheeseman	George	GBR	2:36.464	283.05
22	606	Henric	Brinkmann	GER	DNS	279.85

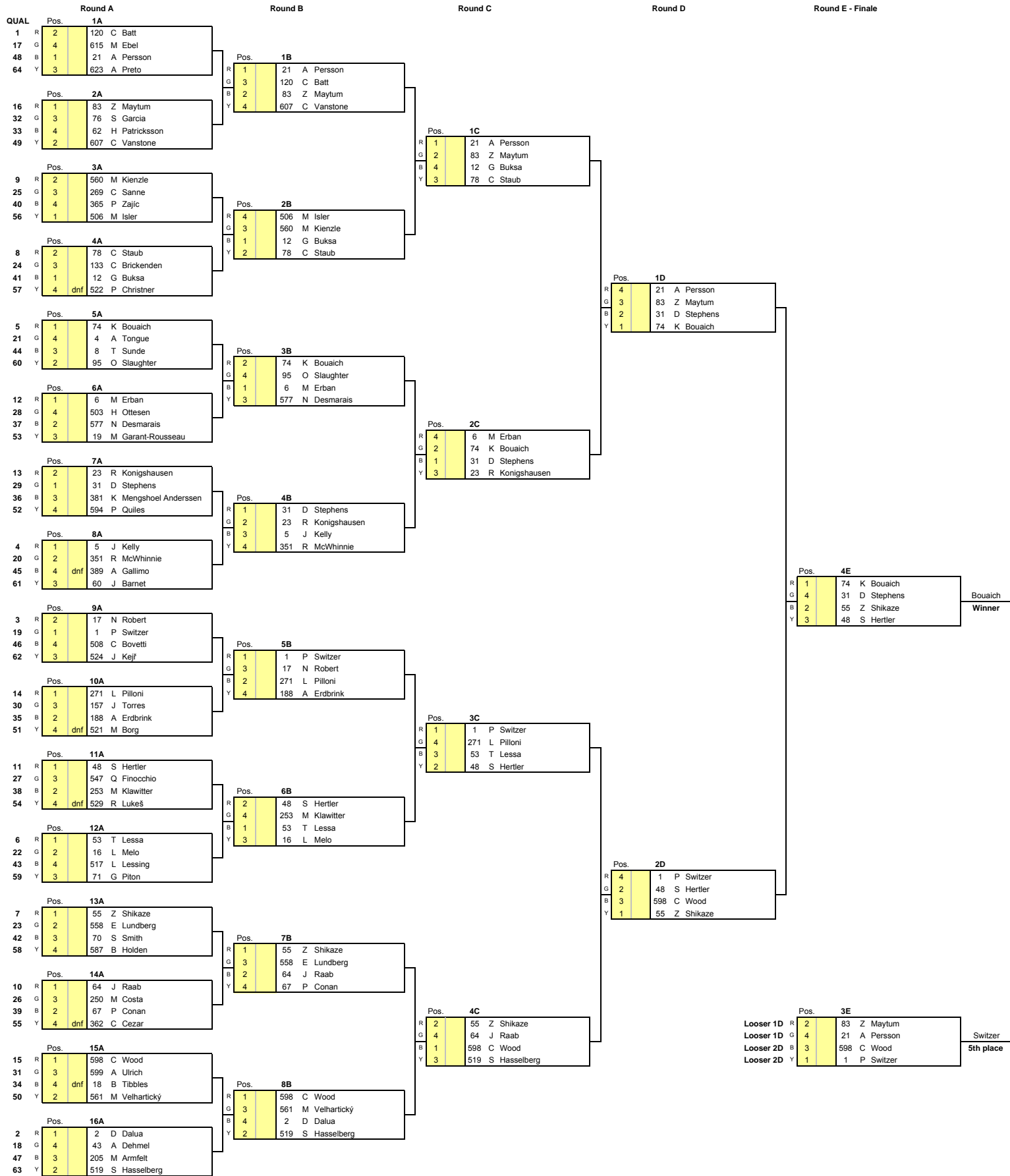


**International Gravity Sports Association**

**Event:** Kozakov Challenge  
**Location:** Kozakov-Semily, Czech Republic  
**Date:** July 28, 2012  
**Event Level:** Continental  
**Weather:** Variable clouds & rain

**Promoter:** Czech Gravity Sports Association  
**Chief Steward:** Norman Kinnish  
**Starter:** Eimer Mayer  
**Track Conditions:** Dry turning to wet  
**Course Length:** 3.4 km

**Downhill Skateboard**

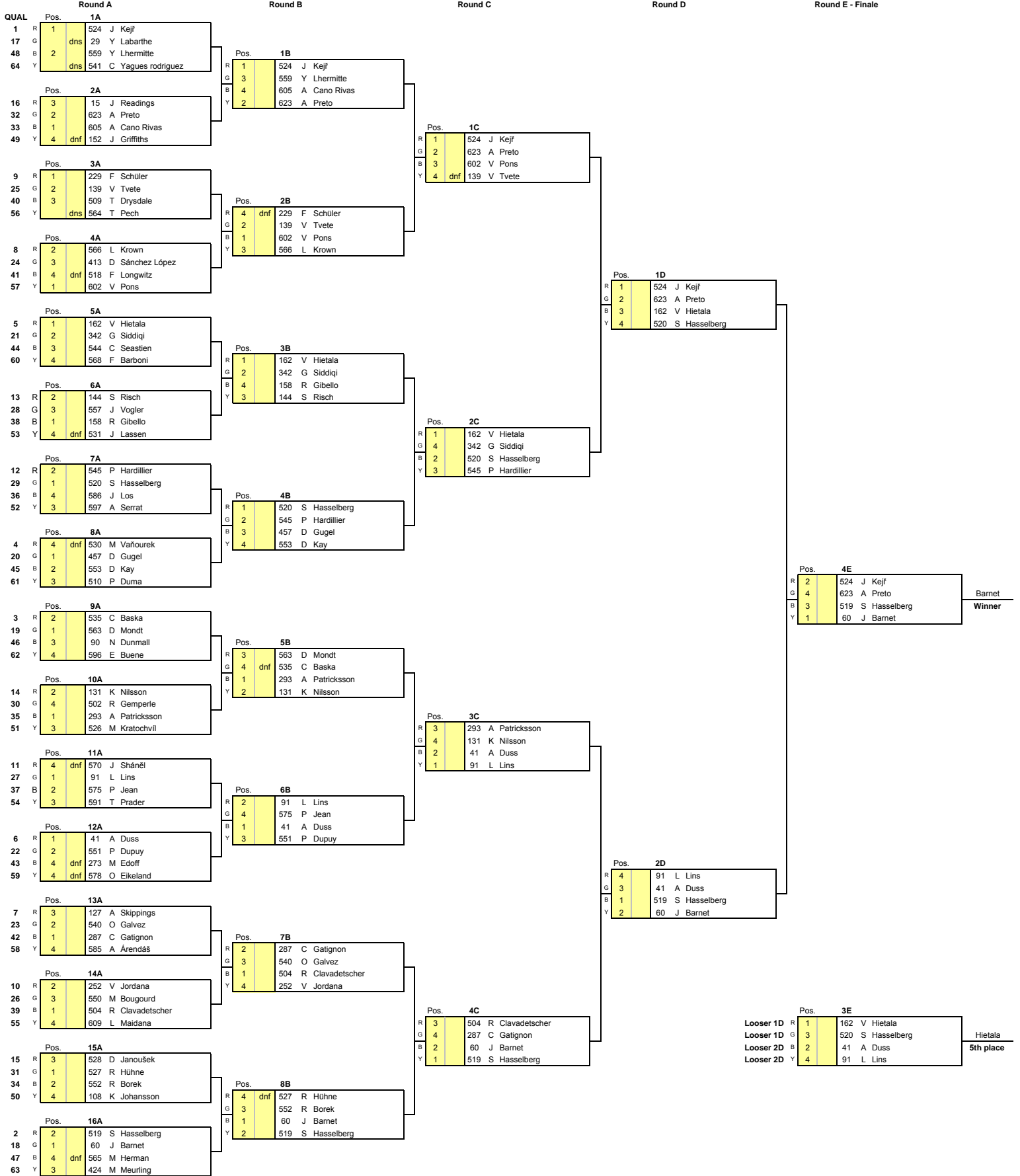


**International Gravity Sports Association**

**Event:** Kozakov Challenge  
**Location:** Kozakov-Semily, Czech Republic  
**Date:** July 28, 2012  
**Event Level:** Continental  
**Weather:** Variable clouds & rain

**Promoter:** Czech Gravity Sports Association  
**Chief Steward:** Norman Kinnish  
**Starter:** Eimer Mayer  
**Track Conditions:** Dry turning to wet  
**Course Length:** 3.4 km

**Recharge Downhill Skateboard**



**International Gravity Sports Association**

**Event:** Kozakov Challenge  
**Location:** Kozakov-Semily, Czech Republic  
**Date:** July 28, 2012  
**Event Level:** Continental  
**Weather:** Variable clouds & rain

**Promoter:** Czech Gravity Sports Association  
**Chief Steward:** Norman Kinnish  
**Starter:** Eimer Mayer  
**Track Conditions:** Dry turning to wet  
**Course Length:** 3.4 km

**Women Downhill Skateboard**

Round A			Round B			Round C -Finale		
QUAL	Pos	1A	Pos	1B	Pos	4C		
1	R	1 550 M Bougourd	R	2 550 M Bougourd	R	3 525 L Salačová		
5	G	2 525 L Salačová	G	1 525 L Salačová	G	2 550 M Bougourd		
12	B		B	4 538 S Masía Sánchez	B	1 502 R Gemperle		
16	Y		Y	3 591 T Prader	Y	4 501 K Havnevik		<b>Winner</b>
		Pos						
4	R	2 591 T Prader						
8	G	3 571 G Kupsch						
9	B	1 538 S Masía Sánchez						
13	Y							
		Pos						
3	R	1 502 R Gemperle						
7	G	3 539 M McWhinnie						
10	B	2 523 D Gaislerová						
14	Y							
		Pos						
3	R	1 502 R Gemperle						
7	G	3 539 M McWhinnie						
10	B	2 523 D Gaislerová						
14	Y							
		Pos						
2	R	1 557 J Vogler						
6	G	2 501 K Havnevik						
11	B							
15	Y							
		Pos						
1	R	1 591 T Prader						
6	G	4 538 S Masía Sánchez						
11	B	3 557 J Vogler						
15	Y	2 523 D Gaislerová						
		Pos						
1	R	1 591 T Prader						
6	G	4 538 S Masía Sánchez						
11	B	3 557 J Vogler						
15	Y	2 523 D Gaislerová						
		Pos						
1	R	1 591 T Prader						
6	G	4 538 S Masía Sánchez						
11	B	3 557 J Vogler						
15	Y	2 523 D Gaislerová						

**Junior II Downhill Skateboard**

Round A			Round B			Round C			Round D - Finale		
QUAL	Pos	1A	Pos	1B	Pos	1C					
1	R	1 547 Q Finocchio	R	1 547 Q Finocchio	R	1 547 Q Finocchio					
9	G	2 518 F Longwitz	G	3 518 F Longwitz	G	2 622 A Canales					
24	B		B	4 504 R Clavadetscher	B	3 528 D Janoušek					
32	Y		Y	2 622 A Canales	Y	4 424 M Meurling					
		Pos									
8	R	1 504 R Clavadetscher									
16	G	3 513 P Schickor									
17	B	2 622 A Canales									
25	Y										
		Pos									
5	R	1 528 D Janoušek									
13	G	2 424 M Meurling									
20	B										
28	Y										
		Pos									
4	R	1 535 C Baska									
12	G	dns 578 O Eikeland									
21	B										
29	Y										
		Pos									
3	R	1 522 P Christner									
11	G	2 602 V Pons									
22	B										
30	Y										
		Pos									
6	R	1 540 O Galvez									
14	G	2 576 D Lovaas									
19	B	3 dnf 562 T van Winkoop									
27	Y										
		Pos									
7	R	1 563 D Mondt									
15	G	2 533 K Schmidt-Rimpler Dinh									
18	B	3 534 S Keogh									
26	Y										
		Pos									
2	R	1 508 C Bovetti									
10	G	2 526 M Kratochvil									
23	B										
31	Y										
		Pos									
2	R	1 508 C Bovetti									
10	G	2 526 M Kratochvil									
23	B										
31	Y										
		Pos									
3	R	1 522 P Christner									
11	G	2 602 V Pons									
22	B										
30	Y										
		Pos									
1	R	1 547 Q Finocchio									
3	G	1 622 A Canales									
4	B	4 522 P Christner									
2	Y	2 563 D Mondt									
		Pos									
3	R	1 547 Q Finocchio									
1	G	1 622 A Canales									
4	B	4 522 P Christner									
2	Y	2 563 D Mondt									
		Pos									
1	R	1 528 D Janoušek									
1	G	dns 424 M Meurling									
1	B	dns 508 C Bovetti									
1	Y	dns 540 O Galvez									
		Pos									
1	R	1 528 D Janoušek									
1	G	dns 424 M Meurling									
1	B	dns 508 C Bovetti									
1	Y	dns 540 O Galvez									



**International Gravity Sports Association**

**Event:** Kozakov Challenge  
**Location:** Kozakov-Semily, Czech Republic  
**Date:** July 28, 2012  
**Event Level:** Continental  
**Weather:** Variable clouds & rain

**Promoter:** Czech Gravity Sports Association  
**Chief Steward:** Norman Kinnish  
**Starter:** Eimer Mayer  
**Track Conditions:** Dry turning to wet  
**Course Length:** 3.4 km

**Classic Luge**

Round A		Round B		Round C -Finale	
<b>QUAL</b>	<b>Pos</b>	<b>1A</b>	<b>Pos</b>	<b>1B</b>	<b>Pos</b>
1 R	1	135 M Serek Dr.	1 R	135 M Serek Dr.	4 R
5 G	2	595 C Robert	2 G	595 C Robert	3 G
12 B	3	617 P Eliot	3 B	569 R Marasca	1 B
16 Y	4	574 J Verholen	4 Y	536 F Williams	2 Y
	<b>2A</b>	<b>Pos</b>		<b>2B</b>	<b>Pos</b>
4 R	3	568 F Barboni	2 R	29 Y Labarthe	2 R
8 G	1	569 R Marasca	4 G	543 P Fouz Rey	4 G
9 B	2	536 F Williams	1 B	542 M Echegaray-Diez	1 B
13 Y	4	589 C McBride	3 Y	593 G Klotzberg	3 Y
	<b>3A</b>	<b>Pos</b>		<b>3C</b>	<b>Pos</b>
3 R	1	29 Y Labarthe	2 R	569 R Marasca	4 R
7 G	3	549 A Frischauf	3 G	536 F Williams	3 G
10 B	2	543 P Fouz Rey	1 B	593 G Klotzberg	1 B
14 Y	4	584 s Sobot	3 Y	543 P Fouz Rey	2 Y
	<b>4A</b>	<b>Pos</b>	<b>Looser 1B</b>	<b>Looser 1C</b>	<b>Pos</b>
2 R	1	542 M Echegaray-Diez	4 R	dnf	569 R Marasca
6 G	2	593 G Klotzberg	3 G		536 F Williams
11 B	4	271 L Pilloni	2 B		593 G Klotzberg
15 Y	3	621 D Pešta	1 Y		543 P Fouz Rey

**Winner:** Echegaray-Diez  
**5th place:** Fouz Rey

**Street Luge**

Round A		Round B		Round C		Round D - Finale	
<b>QUAL</b>	<b>Pos</b>	<b>1A</b>	<b>Pos</b>	<b>1B</b>	<b>Pos</b>	<b>1C</b>	<b>Pos</b>
1 R	1	542 M Echegaray-Diez	4 R	dnf	3 R	579 L Stocker	4 R
9 G	2	581 J Ptak	2 G	581 J Ptak	4 G	581 J Ptak	2 G
24 B			3 B	135 M Serek Dr.	1 B	548 M Müller	3 B
32 Y			1 Y	579 L Stocker	2 Y	29 Y Labarthe	1 Y
	<b>2A</b>	<b>Pos</b>		<b>2B</b>	<b>Pos</b>	<b>2C</b>	<b>Pos</b>
8 R	1	135 M Serek Dr.	1 R	548 M Müller	2 R	603 A Mahdzan	4 R
16 G	2	579 L Stocker	4 G	546 M Witzigmann	3 G	549 A Frischauf	2 R
17 B	3	589 C McBride	2 B	29 Y Labarthe	1 B	617 P Eliot	3 R
25 Y			3 Y	582 E De Wit	4 B	536 F Williams	1 R
	<b>3A</b>	<b>Pos</b>		<b>3B</b>	<b>Pos</b>	<b>3D</b>	<b>Pos</b>
5 R	1	548 M Müller	1 R	603 A Mahdzan	2 R	579 L Stocker	2 R
13 G	2	546 M Witzigmann	2 G	549 A Frischauf	3 R	581 J Ptak	1 R
20 B	3	512 M Grucka	3 B	569 R Marasca	4 R	549 A Frischauf	4 B
28 Y			1 Y	580 L Bunsch	1 Y	617 P Eliot	3 B
	<b>4A</b>	<b>Pos</b>		<b>4B</b>	<b>Pos</b>	<b>Looser 1C</b>	<b>Pos</b>
4 R	1	29 Y Labarthe	1 R	617 P Eliot	2 R	579 L Stocker	2 R
12 G	2	582 E De Wit	2 G	536 F Williams	3 R	581 J Ptak	1 G
21 B	3	511 T Grucka	3 G	568 F Barboni	4 R	549 A Frischauf	4 B
29 Y			1 Y	595 C Robert	1 Y	536 F Williams	3 Y
	<b>5A</b>	<b>Pos</b>		<b>Looser 2C</b>	<b>Pos</b>	<b>Looser 2C</b>	<b>Pos</b>
3 R	1	603 A Mahdzan	1 R	dnf	2 R	579 L Stocker	2 R
11 G	2	549 A Frischauf	2 G		3 R	581 J Ptak	1 G
22 B	dns	101 M Jensen	3 B		4 R	549 A Frischauf	4 B
30 Y			1 Y		1 Y	536 F Williams	3 Y
	<b>6A</b>	<b>Pos</b>		<b>Looser 2B</b>	<b>Pos</b>	<b>Looser 2B</b>	<b>Pos</b>
6 R	1	569 R Marasca	1 R	dnf	2 R	579 L Stocker	2 R
14 G	2	580 L Bunsch	2 G		3 R	581 J Ptak	1 G
19 B	3	572 G Cheeseman	3 B		4 R	549 A Frischauf	4 B
27 Y			1 Y		1 Y	536 F Williams	3 Y
	<b>7A</b>	<b>Pos</b>		<b>Looser 2A</b>	<b>Pos</b>	<b>Looser 2A</b>	<b>Pos</b>
7 R	1	617 P Eliot	1 R	dnf	2 R	579 L Stocker	2 R
15 G	2	536 F Williams	2 G		3 R	581 J Ptak	1 G
18 B	3	588 B Bewley	3 G		4 R	549 A Frischauf	4 B
26 Y			1 Y		1 Y	536 F Williams	3 Y
	<b>8A</b>	<b>Pos</b>		<b>Looser 2Y</b>	<b>Pos</b>	<b>Looser 2Y</b>	<b>Pos</b>
2 R	2	595 C Robert	1 R	dnf	2 R	579 L Stocker	2 R
10 G	1	568 F Barboni	2 G		3 R	581 J Ptak	1 G
23 B	3	606 B Henric	3 G		4 R	549 A Frischauf	4 B
31 Y			1 Y		1 Y	536 F Williams	3 Y

**Winner:** Mahdzan  
**5th place:** Ptak

**International Gravity Sports Association**

**Event:** Kozakov Challenge  
**Location:** Kozakov-Semily, Czech Republic  
**Date:** July 28, 2012  
**Event Level:** Continental  
**Weather:** Variable clouds & rain

**Promoter:** Czech Gravity Sports Association  
**Chief Steward:** Norman Kinnish  
**Starter:** Eimer Mayer  
**Track Conditions:** Dry turning to wet  
**Course Length:** 3.4 km

**Junior Grand Prix**

QUAL	No	Surname	First Name	Heat #1	Heat #2	Heat #3	Heat #4	Total Points	Pos
1	567	Gires	Lennard	1	1	1	1	4	1
2	507	Kalb	Gero	2	2	2	2	8	2